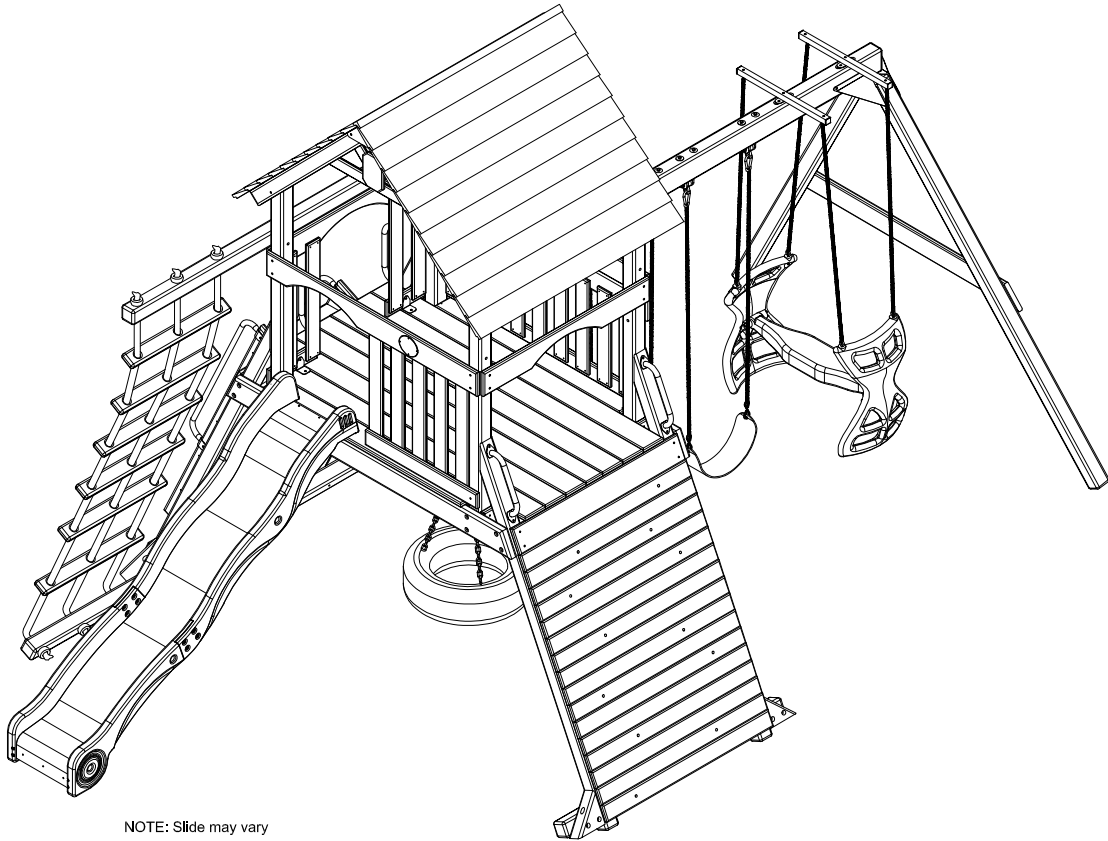


Grand Sequoia

Assembly Instructions

Model # 46311



NOTE: Slide may vary



WARNING: CHOKING HAZARD

Unassembled parts may be a choking hazard to children 3 years and younger.



CAUTION: Adult Assembly Required.

Hardware contains small pieces with sharp points. Keep parts out of the reach of children until assembled. Parts of this product can present dangers if improperly assembled.



CAUTION: The plastic bags that contain the hardware may present a choking hazard to small children. Please keep these bags and all plastic bags out of the reach of children. Do not allow children to play with them and dispose of them immediately when empty.

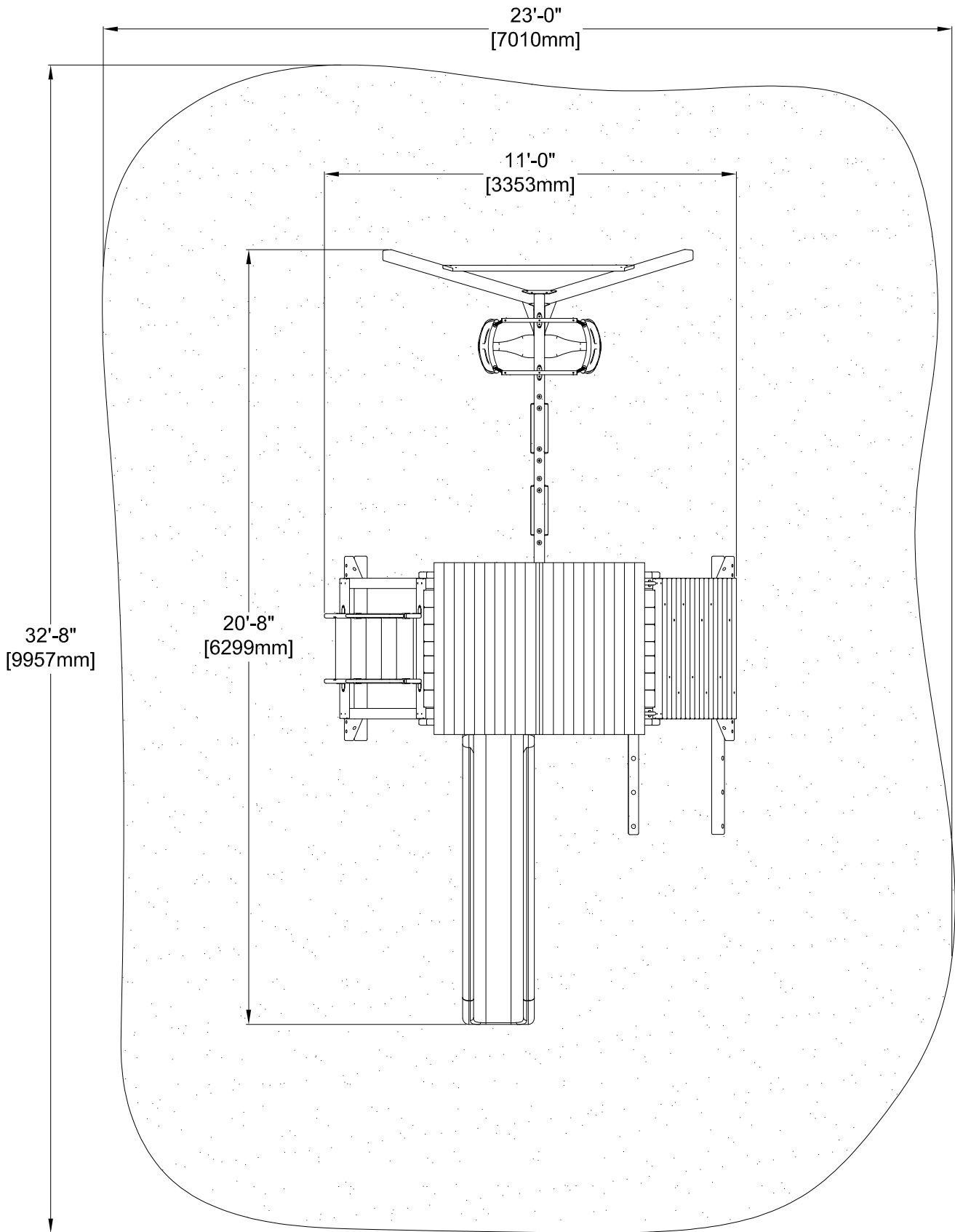


By ShedsUSA

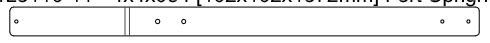
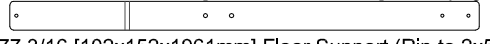


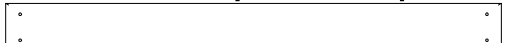


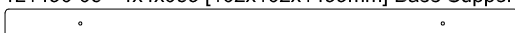
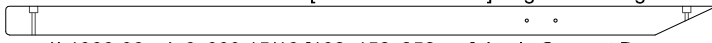


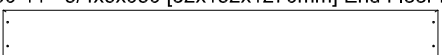
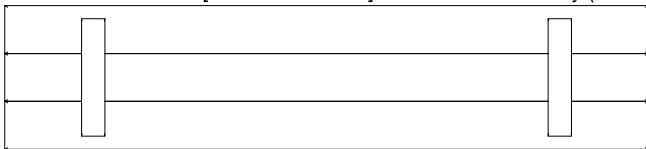
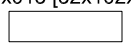
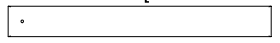
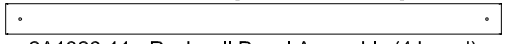
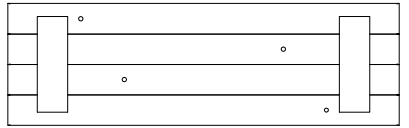
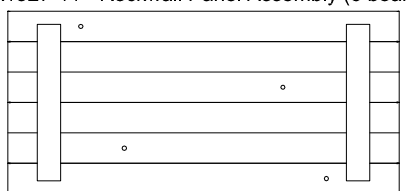

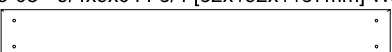
INS-46311-ASM

Basic Setup Dimensions



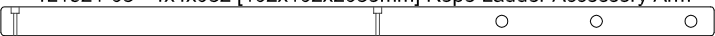



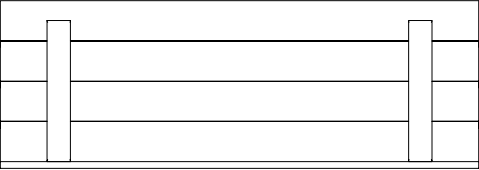


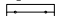




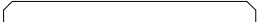


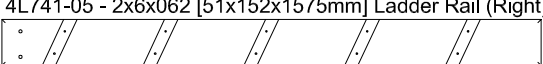
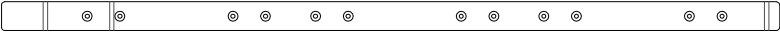


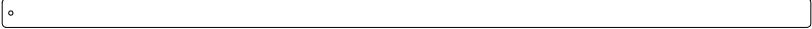



Place the set on level ground, not less than 6' [1829mm] from any structure or obstruction such as a fence, garage, house, overhanging branches, laundry lines or electrical wires.



Parts Identification Wood Components

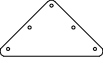



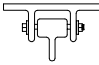




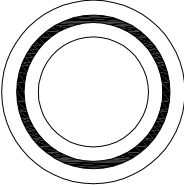

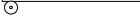



ID	DESCRIPTION	QTY
A	4L3110-11 - 4x4x054 [102x102x1372mm] Fort Upright 	2
B	4L3011-11 - 4x4x054 [102x102x1372mm] Fort Upright 	2
C	4L3109-11 - 4x6x077 3/16 [102x152x1961mm] Floor Support (Rip to 2x5 3/8" [51x137mm]) 	2
D	4L2168-07 - 5/4x6x057 [32x152x1448mm] Side Arched Wall Rail 	1
E	4L3071-11 - 5/4x6x057 [32x152x1448mm] Wall Rail 	1
F	4L2166-07 - 5/4x6x045 [32x152x1143mm] Center Arched Wall Rail 	2
G	4L1491-08 - 4x4x089 [102x102x2261mm] Rope Ladder Ground Beam 	1
H	4L1490-06 - 4x4x059 [102x102x1499mm] Base Support 	1
I	4L3112-11 - 4x4x081 3/8 [102x102x2067mm] Angled Fort Leg 	4
J	4L1866-06 - 4x6x009 15/16 [102x152x252mm] Angle Support Brace 	4
K	4L2745-09 - 5/4x6x045 [32x152x1143mm] Floor Brace 	1
L	4L3060-11 - 5/4x6x050 [32x152x1270mm] End Floor Board 	2
M	2A1325-11 - 5/4x6x074 [32x152x1880mm] Floor Panel Assembly (3 board) 	2
N	4L1758-06 - 5/4x4x013 [32x102x330mm] Wall Rail 	2
O	4L1573-06 - 5/4x4x030 1/4 [32x102x768mm] Wall Rail 	1
P	4L1574-06 - 5/4x4x057 [32x102x1448mm] Wall Rail 	1
Q	2A1326-11 - Rockwall Panel Assembly (4 board) 	1
R	2A1327-11 - Rockwall Panel Assembly (6 board) 	2
S	4L3113-11 - 5/4x6x045 [32x102x1143mm] Floor Joist 	4
T	4L1759-08 - 5/4x6x044 3/4 [32x152x1137mm] Wall Rail 	4

Parts Identification Wood Components





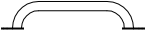
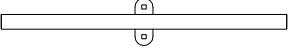



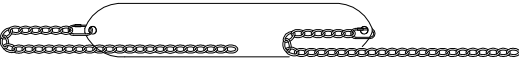
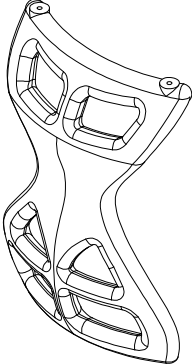
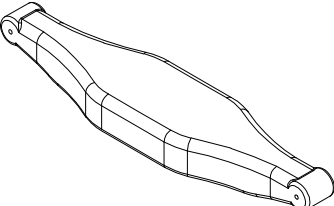
ID	DESCRIPTION	QTY
U	4L2170-07 - 1x3x057 [25x76x1448mm] Rockwall Brace 	1
V	4L1424-05 - 1x4x027 1/4 [25x102x692mm] Wall Slat 	9
W	4L1521-08 - 4x4x082 [102x102x2083mm] Rope Ladder Accessory Arm 	1
X	4L2715-09 - 1x4x022 [25x102x559mm] Wall Slat 	9
Y	4L3119-11 - 2x6x057 [51x152x1448mm] Cross Brace 	1
Z	4L1736-09 - 2x4x046 3/4 [51x102x1188mm] Roof Truss 	4
AA	2A1186-09 - 5/4x6x055 [32x152x1397mm] Roof Panel Assembly 	4
AB	4L1755-09 - 5/4x6x055 [32x152x1397mm] Roof Board 	4
AC	4L2118-09 - 1x3x042 [25x76x1067mm] Roof Brace 	2
AD	4L2046-07 - 2x2x005 1/2 [51x51x140mm] Roof Swedge 	2
AE	4L1561-05 - 2x2x055 [51x51x1397mm] Roof Ridge Cap 	1
AF	4L004 - 1x3x012 [25x76x305mm] Sunburst Vertical Spoke 	2
AG	4L3166-11 - 1x6x008 [25x152x203mm] Sunburst Center Piece 	2
AH	4L002 - 1x3x008 1/2 [25x76x216mm] Angle Sunburst Spoke 	4
AI	4L1839-06 - 1x3x029 [25x76x737mm] Horizontal Sunburst Rail 	2
AJ	4L614 - 2x6x020 1/4 [51x152x514mm] Ladder Rung 	5
AK	4L740-05 - 2x6x062 [51x152x1575mm] Ladder Rail (Left) 	1
AL	4L741-05 - 2x6x062 [51x152x1575mm] Ladder Rail (Right) 	1
AM	4L2867-09 - 4x6x089 1/2 [102x152x2273mm] Single Beam 	1
AN	4L3114-11 - 5/4x6x074 [32x152x1880mm] Floor Board (Rip to 1x4 1/2" [25x114mm]) 	1
AO	4L583 - 2x4x027 [51x102x686mm] Rope Ladder Rung 	6
AP	4L2710-09 - 4x4x093 [102x102x2362mm] Single Beam Leg 	2
AQ	4L2717-09 - 5/4x6x061 1/4 [32x152x1556mm] Single Beam Support 	1
AR	4L925 - 4x6x008 [102x152x203mm] Rocket Slide Base Support 	1
AS	4L603 - 2x6x012 [51x152x305mm] Rocket Slide Base Board 	1

NOTE: All widths and heights shown are nominal sizes, not actual sizes. Lengths are shown in actual size.

Parts Identification Hardware Components

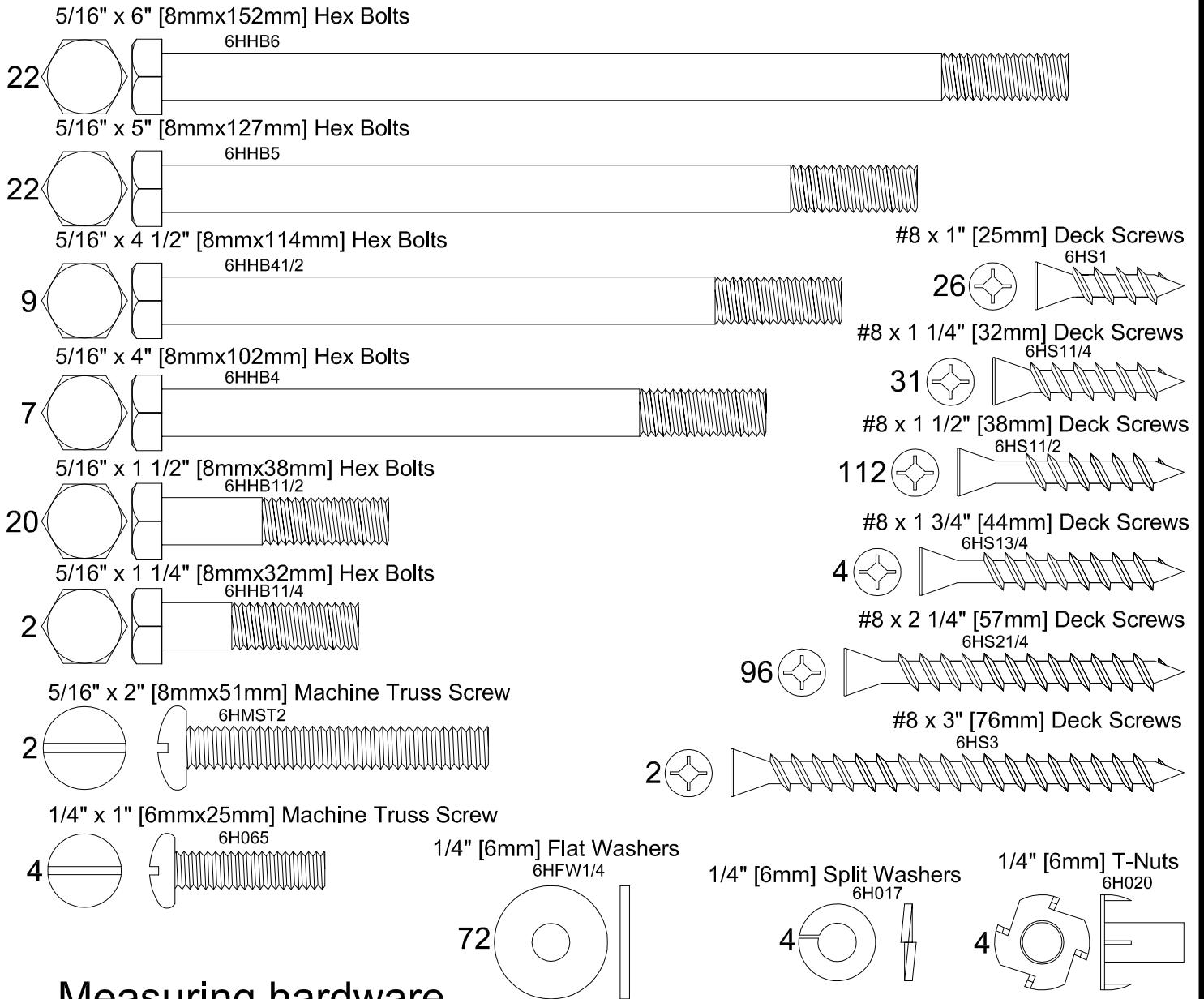
ID	DESCRIPTION	QTY
AT	4M1006 - Fort Plate 5 hole (Green) 	2
AU	4M1005-08 - 4' [1219mm] Handrail (Green) 	2
AV	4R010-09 - 1"x15' [25mmx4572mm] Green Rope 	3
AW	4M032 - L-bracket (Green) 	11
AX	6HASH - Large Swing Hanger 	4
AY	4M1003 - 30" [762mm] 2/0 Chain (Green) 	3
AZ	6H072 - Quick Link (Long) 	7
BA	6HTRS - Tire Swivel 	1
BB	6H090 - Tire Eye Bolt 	3
BC	3A089 - Tire 	1
BD	6PCR6 - Assorted Climbing Rocks (bag of 6) 	2
BF	6M012 - 16" [406mm] Rebar Stakes (bag of 6) 	1
BG	6HSL - Snap Link 	1
BH	4M1068-08 - Single Beam Clamp Left (Green) 	1
BI	4M1069-08 - Single Beam Clamp Right (Green) 	1

Parts Identification Hardware Components

ID	DESCRIPTION	QTY
BJ	4M1070-08 - Single Beam Clamp End Plate (Green) 	1
BK	4M1077-08 - 5" Angled Brace (Green) 	2
BL	A100289 - Sheds Placard 	1
BM	4M1112-09 - 51" [1295mm] 2/0 Chain (Green) 	4
BN	4M1028-10 - Grab Handle (Green) 	4
BO	4M1072-08 - Glider Support 	2
BP	6P159-09 - Glider Support Tubing Cap 	4
BQ	6H094 - Swing Hanger Bushing 	4
BR	6H095 - Swing Hanger Quick Link 	4
BS	2A1246-08 - Swing Seat Assembly (Green) 	2
BT	6P138 - Rocket Rider Arm 	2
BU	6P139 - Rocket Rider Seat 	1

Parts Identification

Hardware

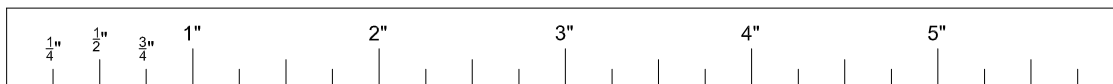
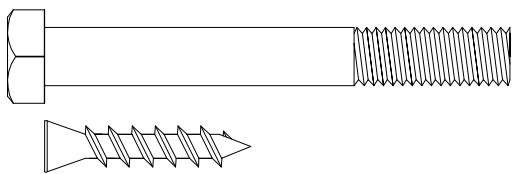


Measuring hardware

It is very important that you get the right hardware in the correct place when assembling the unit.

NOTES:

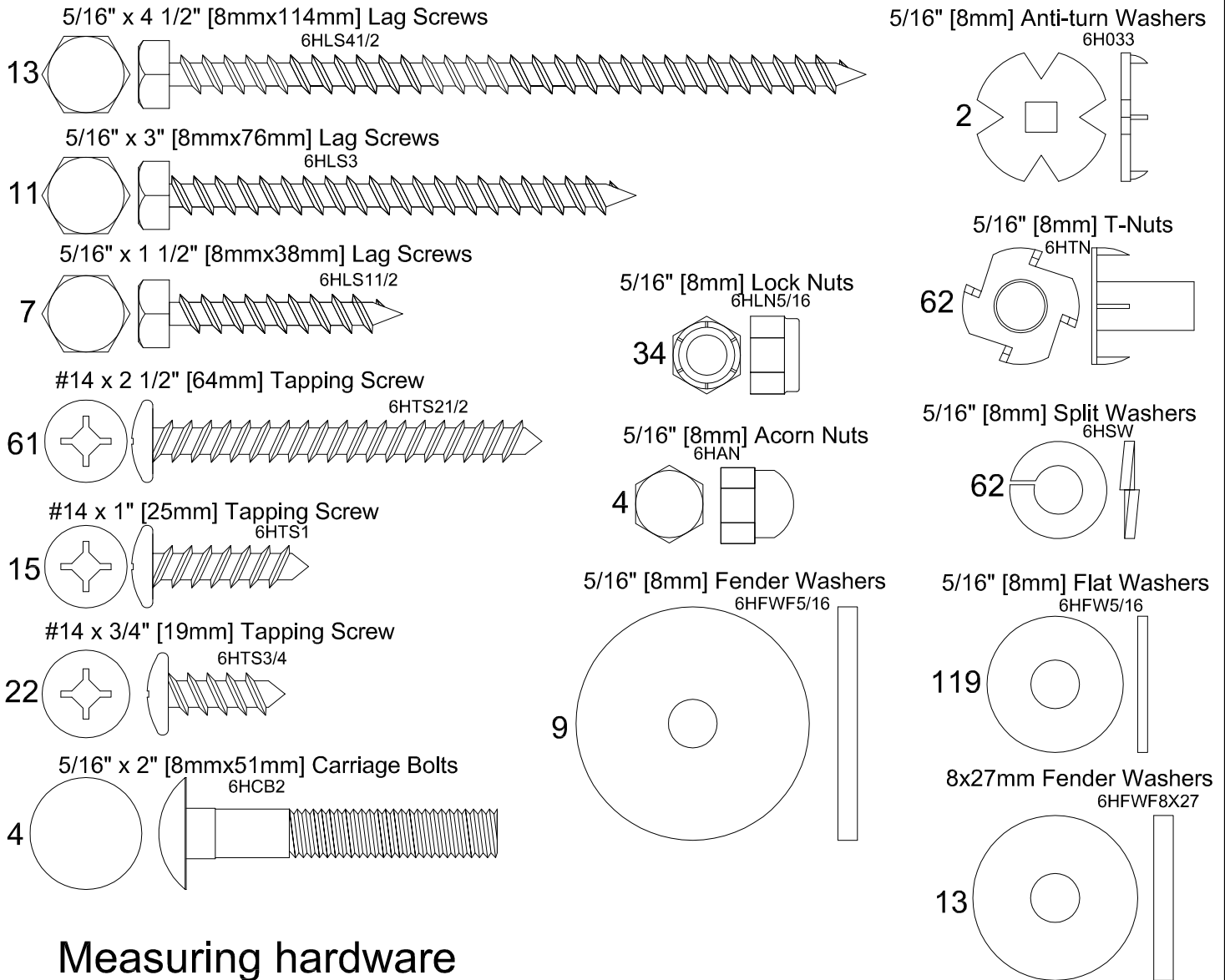
- 1) Do not include bolt head when measuring length of bolt.
- 2) Include full length of deck screw when measuring.



NOTE: Lengths of bolts and screws may vary slightly.

Parts Identification

Hardware

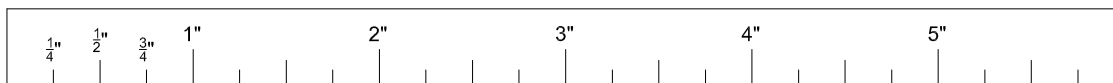
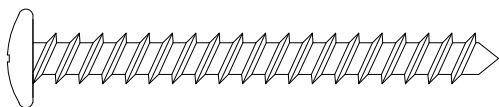
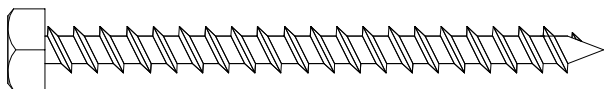


Measuring hardware

It is very important that you get the right hardware in the correct place when assembling the unit.

NOTES:

- 1) Do not include bolt head when measuring length of bolt.
- 2) Include full length of deck screw when measuring.



NOTE: Lengths of bolts and screws may vary slightly.

Phase 1 Frame Assembly

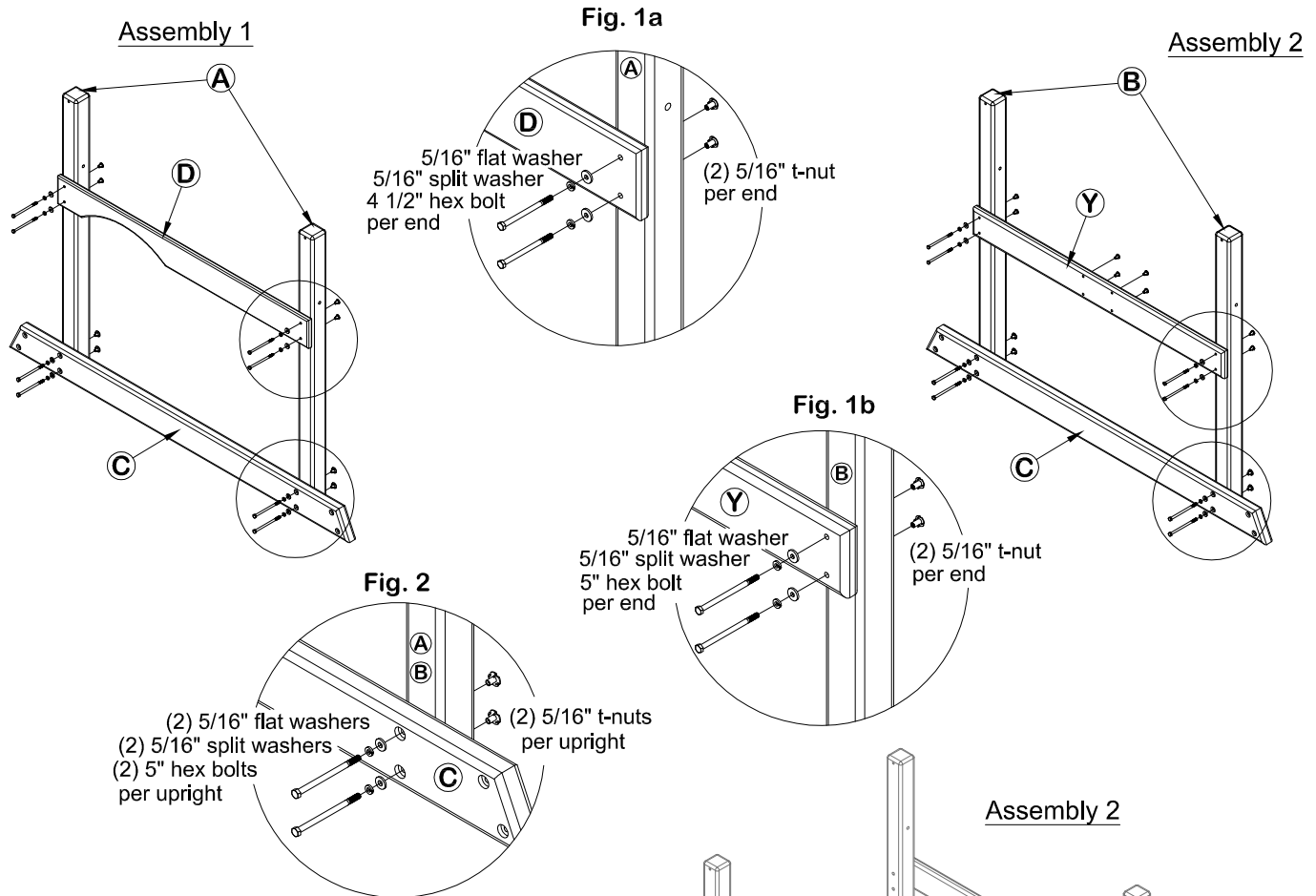
Items Used in this Phase

- (2) 'A' - 4x4x054 Fort Uprights
- (2) 'B' - 4x4x054 Fort Uprights
- (2) 'C' - 4x6x077 3/16 Floor Supports
- (1) 'D' - 5/4x6x057 Side Arched Wall Rail
- (4) 'S' - 5/4x6x045 Floor Joists
- (1) 'Y' - 2x6x057 Cross Brace

Step 1: Gather items A(2), B(2), C(2), D(1), S(4), Y(1) and hardware bag.

Step 2: *Assembly 1:* Fasten floor support C to uprights A using (2) 5" hex bolts, (2) 5/16" flat washers, (2) 5/16" split washers, and 5/16" t-nuts each upright (Fig. 2). Attach arched wall rail D to uprights A using (4) 4 1/2" hex bolts, (4) 5/16" flat washers, (4) 5/16" split washers, and (4) 5/16" t-nuts (Fig. 1a).

Step 3: *Assembly 2:* Fasten floor support C to uprights B using (2) 5" hex bolts, (2) 5/16" flat washers, (2) 5/16" split washers, and 5/16" t-nuts each upright (Fig. 2). Hammer (4) 5/16" t-nuts into center holes on cross brace Y. Attach cross brace Y to uprights A using (2) 5" hex bolts, (4) 5/16" flat washers, (2) 5/16" split washers, and (2) 5/16" t-nuts (Fig. 1b).



Step 4: Fasten wall rails S to inside and outside of bottom of uprights A and B using (4) 2 1/2" tapping screws and (4) 1/4" flat washers each. Make sure the tops of S are flush with the top of floor joists C before attaching.

Be sure and make note of the direction Assemblies 1 and 2 are facing.

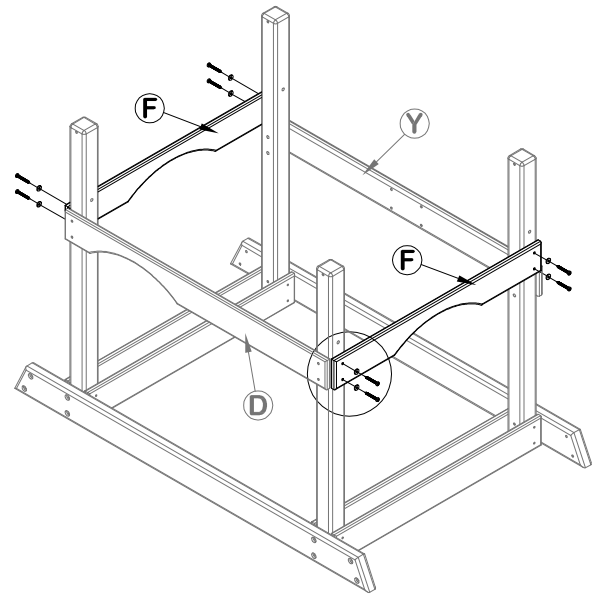
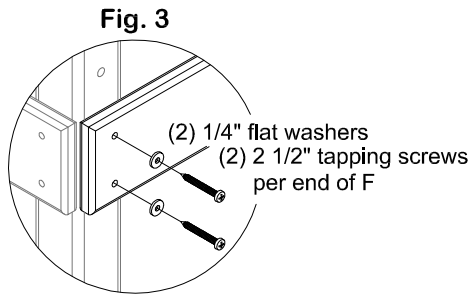
Assembly 1

Phase 2 Leg Assembly

- Items Used in this Phase**
- (2) 'F' - 5/4x6x045 Center Arched Wall Rails
 - (1) 'G' - 4x4x089 Rope Ladder Ground Beam
 - (1) 'H' - 4x4x059 Base Support
 - (4) 'I' - 4x4x081 3/8 Angled Fort Legs

Step 1: Gather items F(2), G(1), H(1), I(4) and hardware bag.

Step 2: Attach arched walls rails F to uprights A and B flush with the top of wall rails D and Y using (4) 2 1/2" tapping screws and (4) 1/4" flat washers each (Fig. 3).



Step 3: Assembly 3: Attach angled legs I to rope ladder ground beam G using 6" hex bolt, 5/16" flat washer, 5/16" split washer, and 5/16" t-nut each leg (Fig. 4). Do not tighten bolts completely at this point, they will be tightened in the next phase. Pay close attention to the direction ground beam G is facing in relation to angled legs I.

Step 4: Assembly 4: Attach angled legs I to base support H using 6" hex bolt, 5/16" flat washer, 5/16" split washer, and 5/16" t-nut each leg (Fig. 4). Do not tighten bolts completely at this point, they will be tightened in the next phase.

Assembly 3

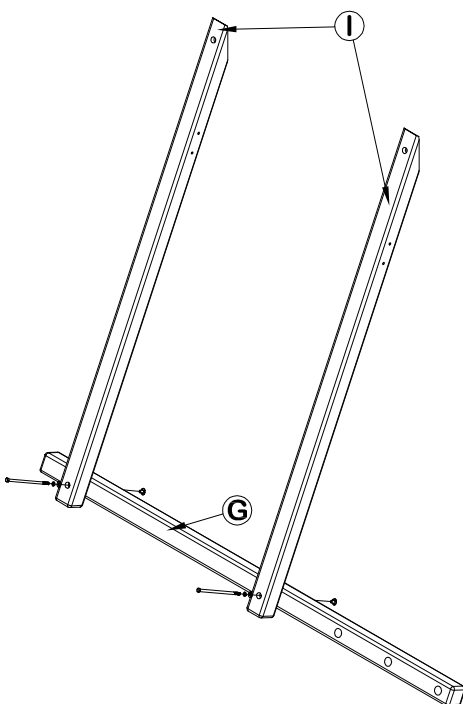
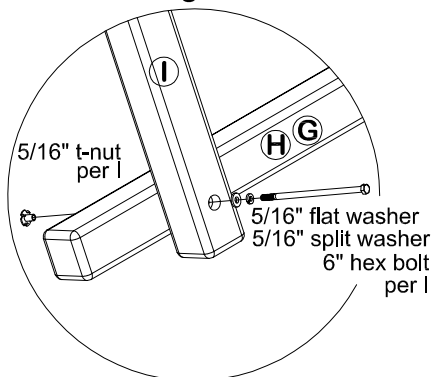
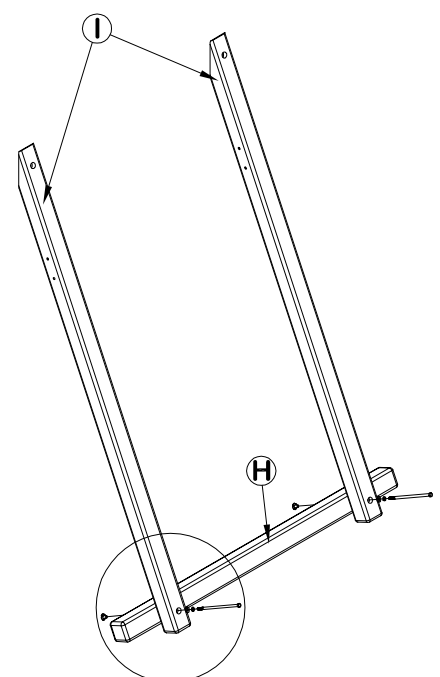


Fig. 4



Assembly 4



Phase 3 Leg Attachment

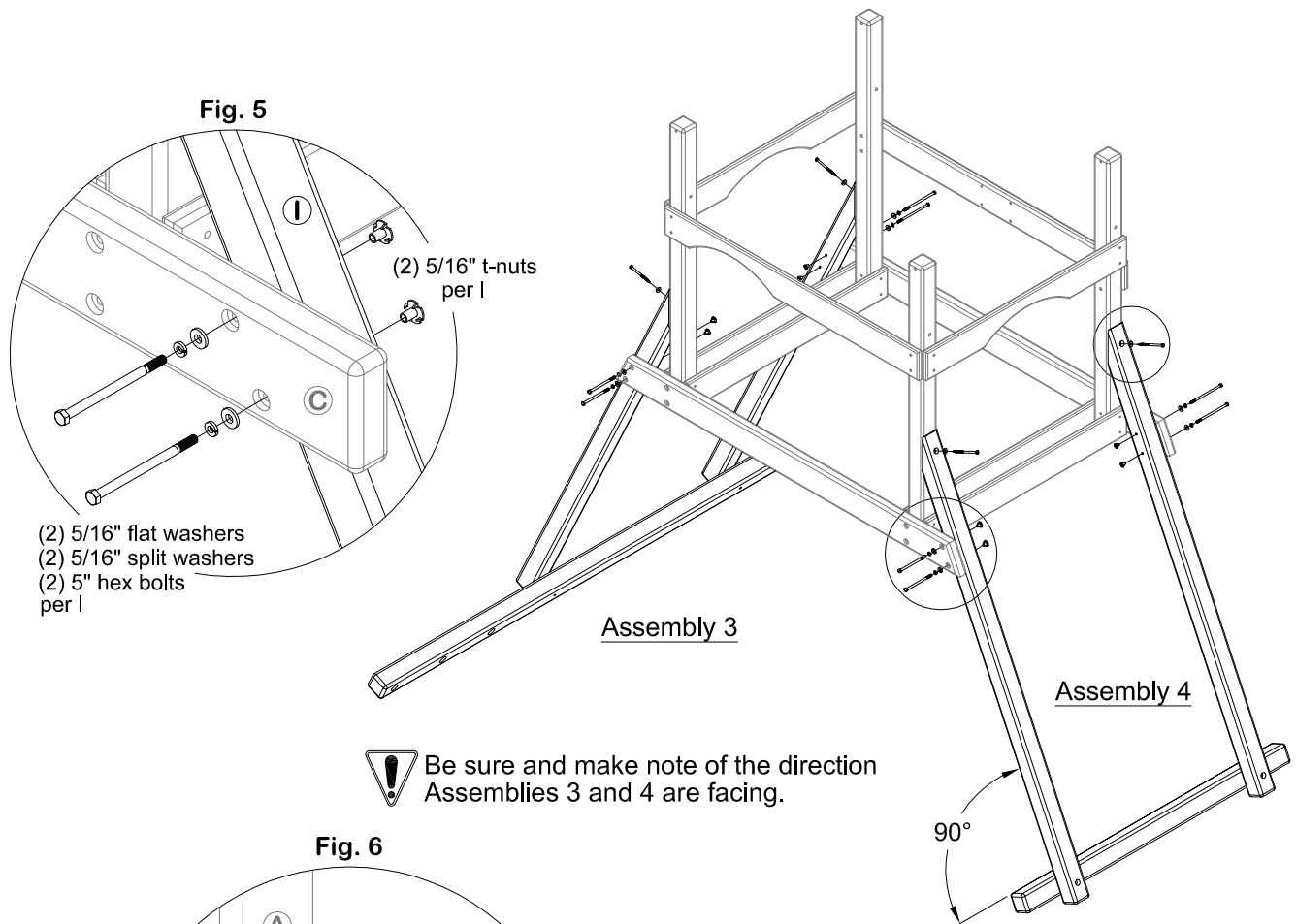
Items Used in this Phase
Assemblies 3 & 4 from Phase 2


Step 1: Gather Assemblies 3 and 4 from Phase 2.

Step 2: Attach Assemblies 3 & 4 to fort structure by fastening angled legs I to floor supports C using (2) 5" hex bolts, (2) 5/16" flat washers, (2) 5/16" split washers, and 5/16" t-nuts each angled leg (Fig. 5).

Step 3: Secure tops of angled legs to uprights using (1) 3" lag screw and (1) 5/16" flat washer each (Fig. 6).

Step 4: Once legs are secured to the fort structure, make sure they are perpendicular to the ground beams and tighten bolts left loose in Phase 2.



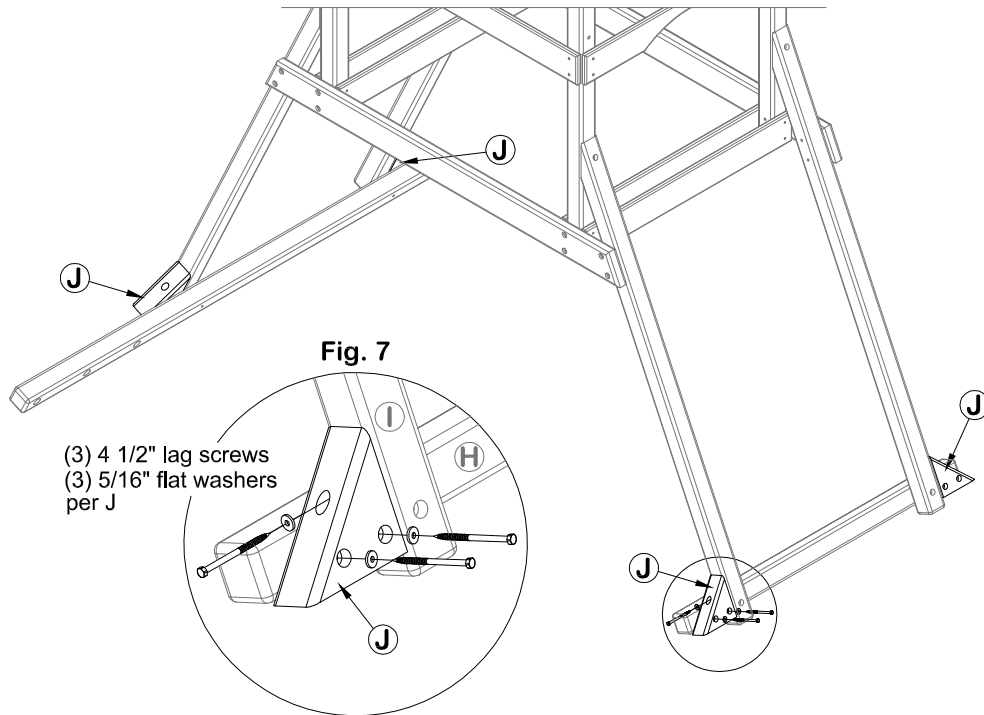
 Be sure and make note of the direction Assemblies 3 and 4 are facing.

Phase 4 Gusset Attachment

Items Used in this Phase
(4) 'J' - 4x6x009 15/16 Angle Support Braces
(1) 'K' - 5/4x6x045 Floor Support
(2) 'AW' - L-brackets (green)

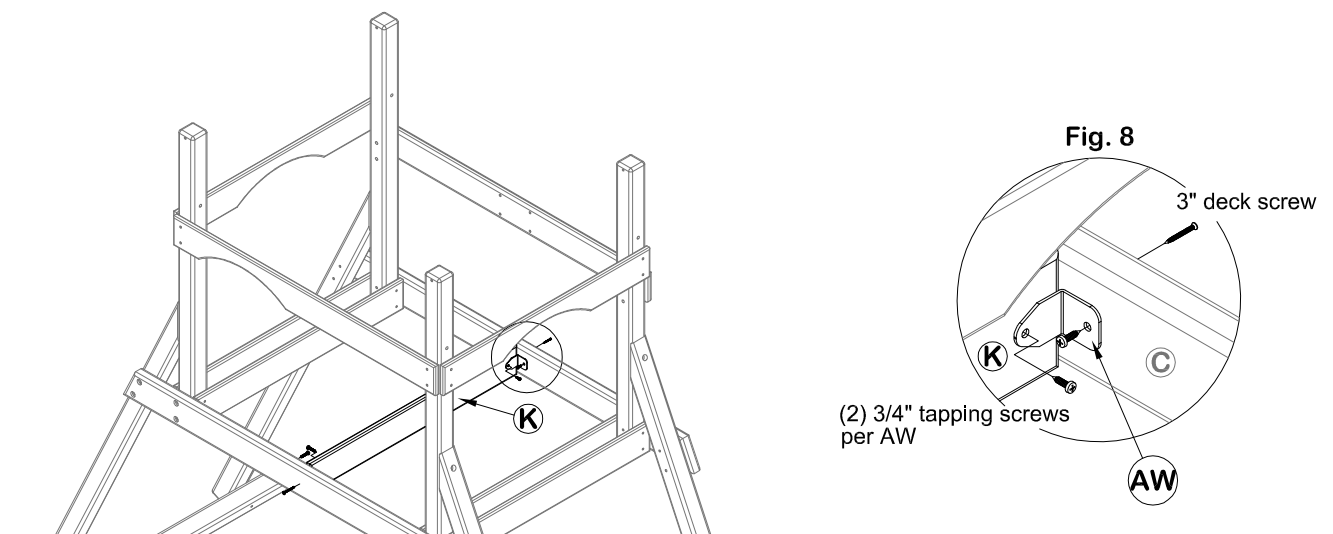
Step 1: Gather items J(4), K(1), AW(2) and hardware bag.

Step 2: Attach support braces J to angled legs I and ground beams using (3) 4 1/2" lag screws and (3) 5/16" flat washers each (Fig. 7).



Step 3: Attach floor joist K to floor supports C using (2) L-brackets AW and (4) 3/4" tapping screws (Fig. 8).

Step 4: Secure floor joist using (1) 3" deck screw on each end (Fig. 8).



Phase 5 Floor Assembly

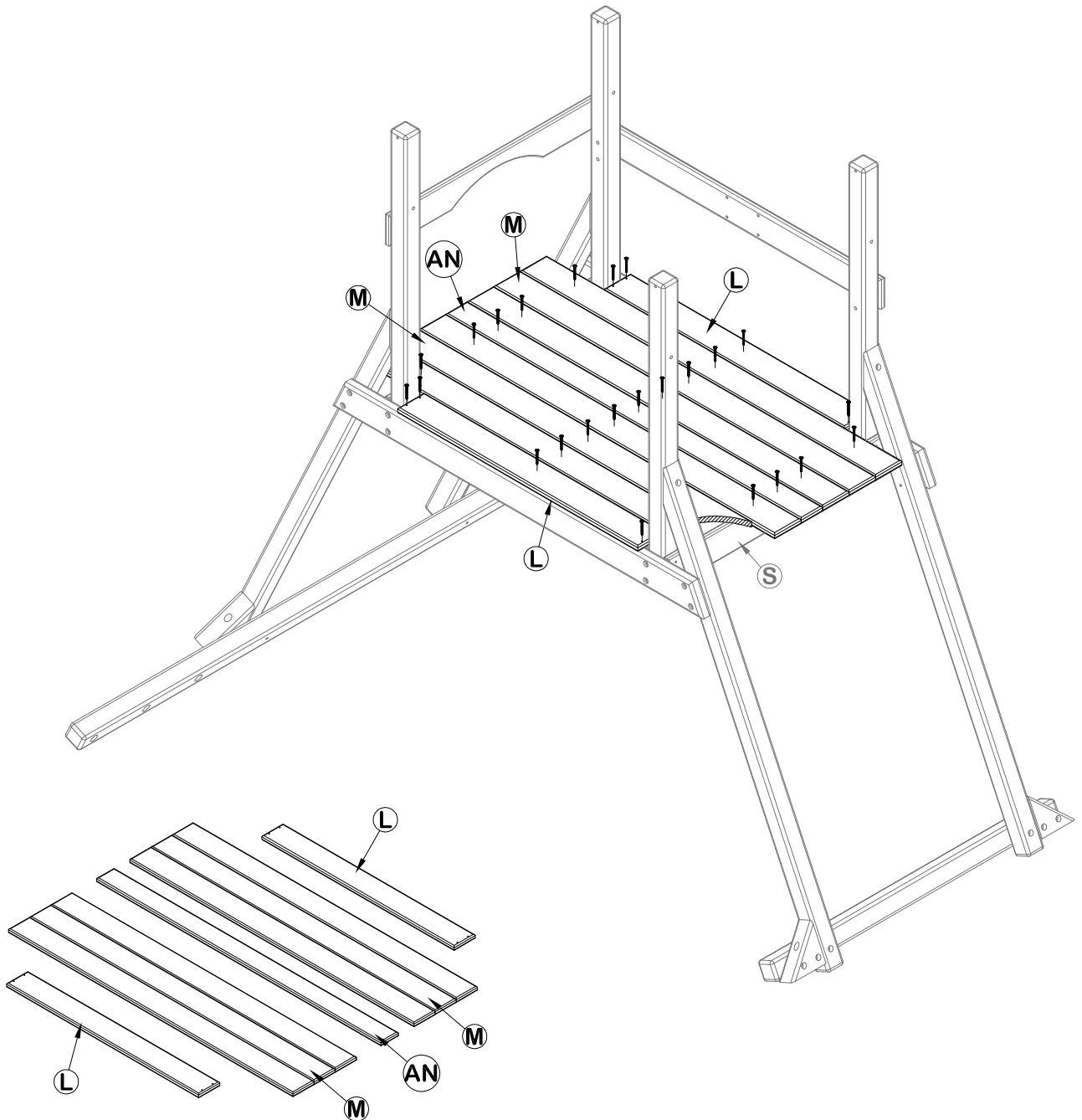
Items Used in this Phase

- (2) 'L' - 5/4x6x050 End Floor Boards
- (2) 'M' - 5/4x6x074 Floor Panel Assemblies
- (1) 'AN' - 5/4x6x074 Floor Board

Step 1: Gather items L(2), M(2), AN(1), and hardware bag.

Step 2: Center panels M and board AN on floor joists as shown below so that cleats on panels sit between floor joists S on each end and attach using 2 1/4" deck screws.

Step 3: Place boards L on outside of panels M and attach using (5) 2 1/4" deck screws each.



Phase 6 Rockwall Assembly

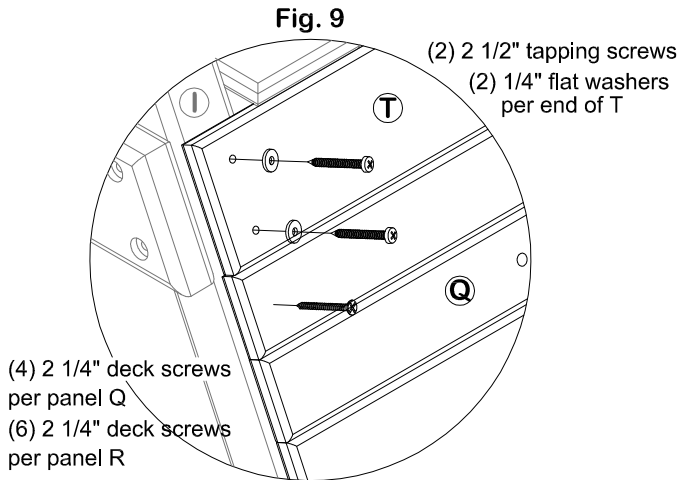
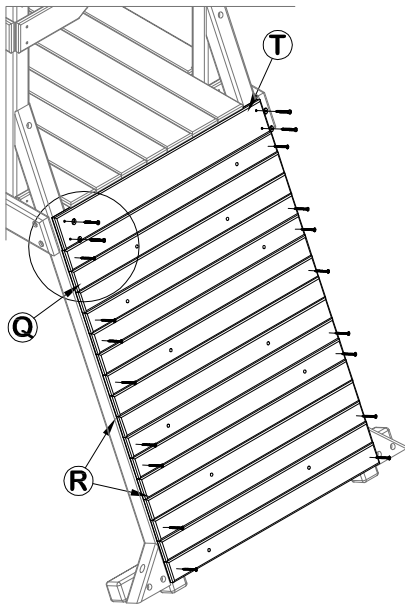
- Items Used in this Phase**
- (1) 'Q' - Rockwall Assembly (4 board)
 - (2) 'R' - Rockwall Assemblies (6 board)
 - (1) 'T' - 5/4x6x044 3/4 Wall Rail
 - (1) 'U' - 1x3x057 Rockwall Brace
 - (2) 'BD' - Assorted Climbing Rocks (bag of 6)

Step 1: Gather items Q(1), R(2), T(1), U(1), BD(2) and hardware bag.

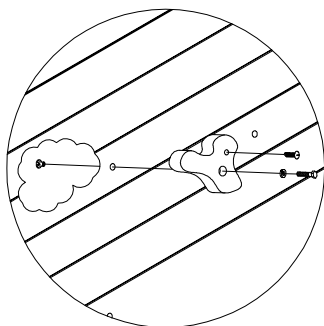
Step 2: Attach board T so that it's touching bottom of floor using (4) 2 1/2" tapping screws and (4) 1/4" flat washers (Fig. 9).

Step 3: Place panels Q and R(2) below board T as shown below and attach using (4) 2 1/4" deck screws per panel Q and (6) 2 1/4" deck screws per panel R (Fig. 9).

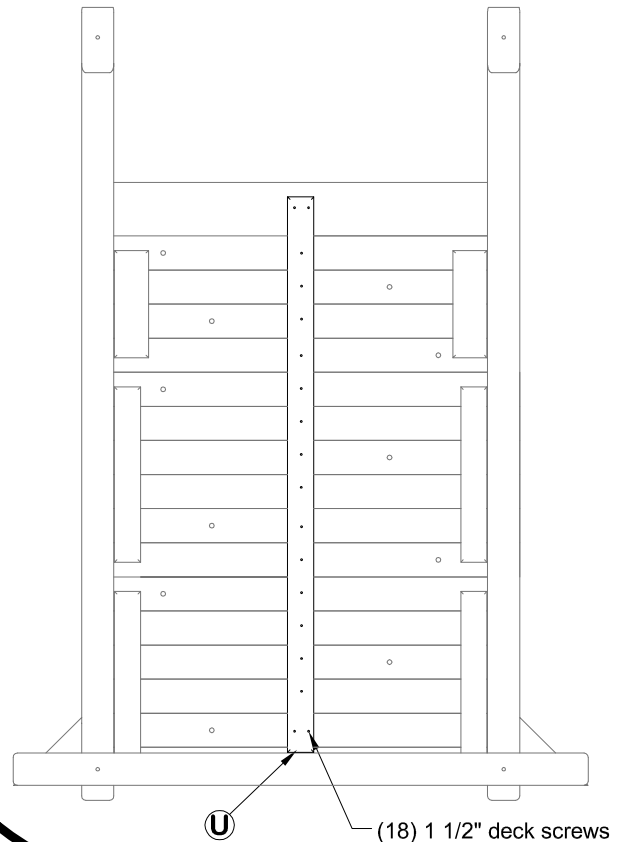
Step 4: Center rockwall brace U under rockwall and attach using (18) 1 1/2" deck screws as shown.



Step 5: Place rocks on panels with the grips facing up and fasten to pre-drilled holes using 1 1/2" hex bolts, 5/16" split washers, 5/16" t-nuts and 1 1/4" deck screws as shown below.



- (12) 1 1/2" hex bolts
- (12) 5/16" split washers
- (12) 5/16" t-nuts
- (12) 1 1/4" deck screws



Phase 7 Ladder Assembly & Attachment

Items Used in this Phase

- (3) 'T' - 5/4x6x044 3/4 Wall Rails
- (5) 'AJ' - 2x6x020 1/4 Ladder Rungs
- (1) 'AK' - 2x6x062 Ladder Rail (Left)
- (1) 'AL' - 2x6x062 Ladder Rail (Right)
- (2) 'AU' - 4' Handrails (green)
- (4) 'AW' - L-brackets (green)

Step 1: Gather items T(3), AJ(5), AK(1), AL(1), AU(2), AW(4) and hardware bag.

Step 2: Place AK and AL so the dado cuts are facing each other. Place rungs AJ in dado cuts and attach using (2) 2 1/4" deck screws on each side as shown below.

Step 2: Place hand rails AU on AK and AL. Insert 2" carriage bolt through hole in handle and pre-drilled hole on top of AK and AL. Secure using 5/16" flat washer, 5/16" split washer, and 5/16" acorn nut (Fig. 10).

Step 4: Screw (2) 1" tapping screws to bottom of hand rails. Attach brackets AW to top of AK and AL using 5/16" t-nut in inside of deck ladder and 1 1/2" hex bolt, 5/16" flat washer, and 5/16" split washer.

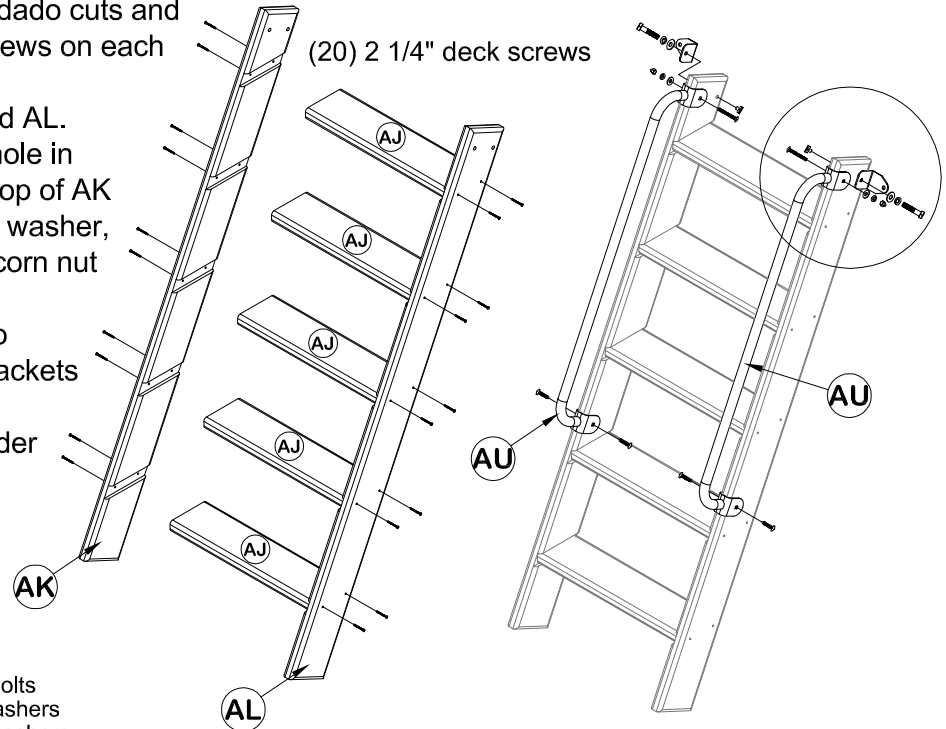
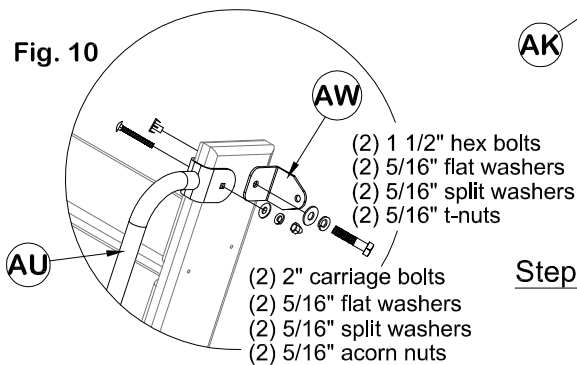


Fig. 10



Step 5: Attach (3) wall rails T to legs using 2 1/2" tapping screws and 1/4" flat washers as shown below. Center ladder on boards T horizontally and vertically. Transfer holes on each bracket at top of ladder to T using 3/8" [10mm] bit. Secure top of deck ladder using t-nuts under T and 1 1/4" hex bolt, 5/16" flat washer, and 5/16" split washer (Fig. 11). Secure the bottom of the deck ladder with (2) brackets AW, 1" tapping screws and 1/4" flat washers to bottom T.

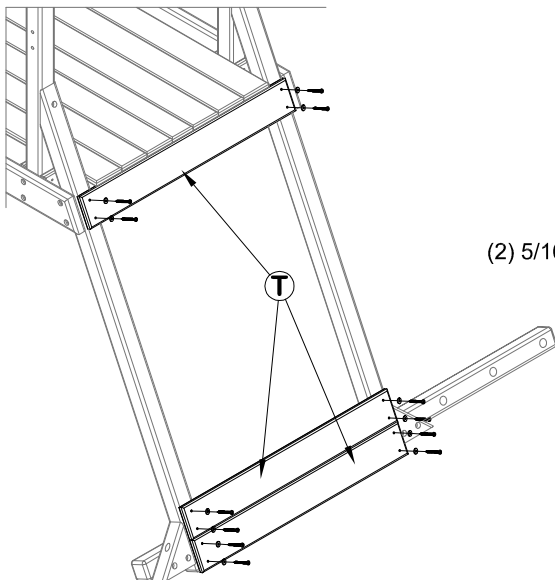
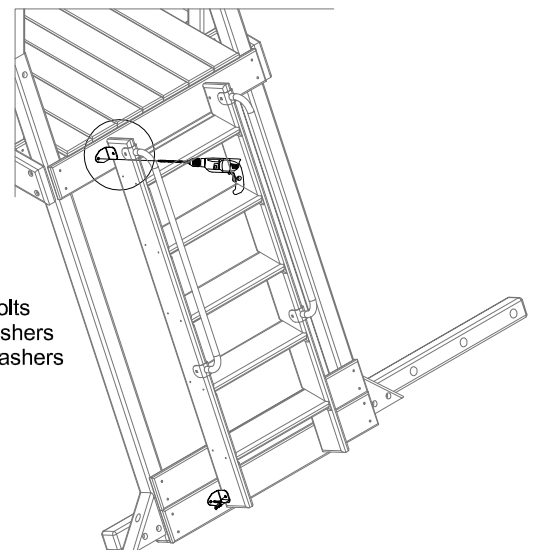
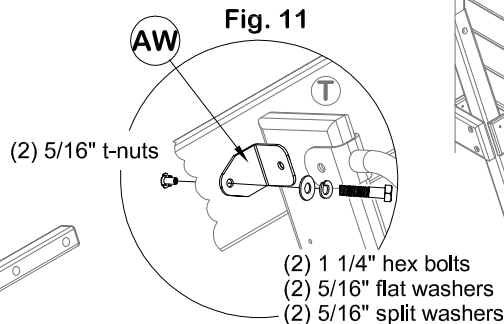


Fig. 11



Phase 8 Wall Rail Attachment

Items Used in this Phase

- (1) 'E' - 5/4x6x057 Wall Rail
- (1) 'O' - 5/4x4x030 1/4 Wall Rail
- (1) 'P' - 5/4x4x057 Wall Rail

Step 1: Gather items E(1), O(1), P(1), and hardware bag.

Step 2: Attach wall rail O to upright A on side of wall opposite arch using (1) 2 1/2" tapping screw and (1) 1/4" flat washer (Fig. 12).

Step 3: Attach wall rail P to uprights B using (2) 2 1/2" tapping screws and (2) 1/4" flat washers (Fig. 13).

Step 4: Attach wall rail E to uprights B above cross brace Y as shown using (4) 2 1/2" tapping screws and (4) 1/4" flat washers (Fig. 14).

Fig. 12

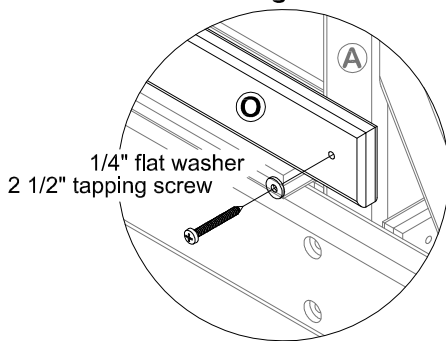


Fig. 13

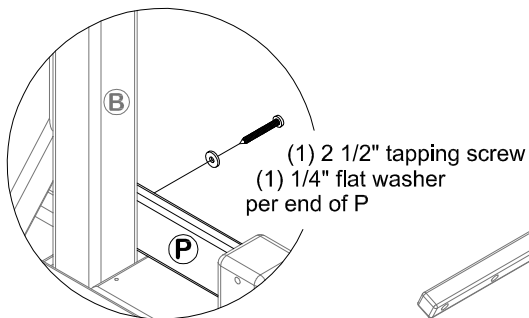
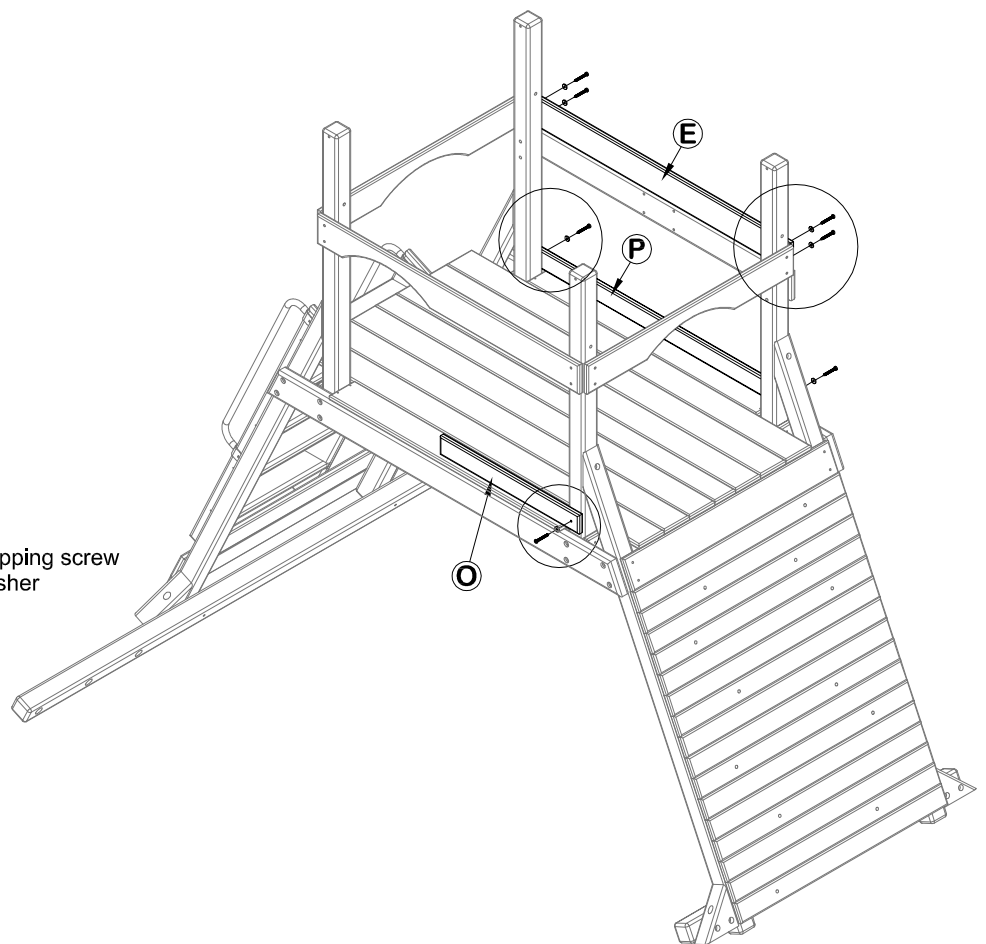
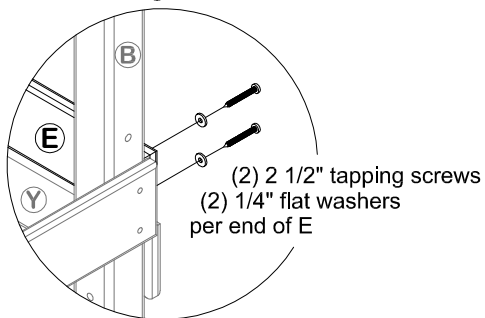


Fig. 14



Phase 9 Wall Slat Attachment

Items Used in this Phase

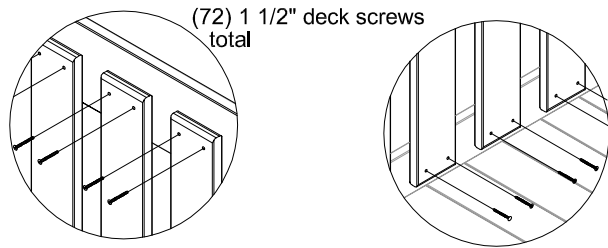
- (2) 'N' - 5/4x4x019 Wall Rails
- (9) 'V' - 1x4x027 1/4 Wall Slats
- (9) 'X' - 1x4x022 Wall Slats
- (3) 'AW' - L-brackets (green)

All Wall Slats Must Be 1 1/4" [32mm] Off The Fort Floor.

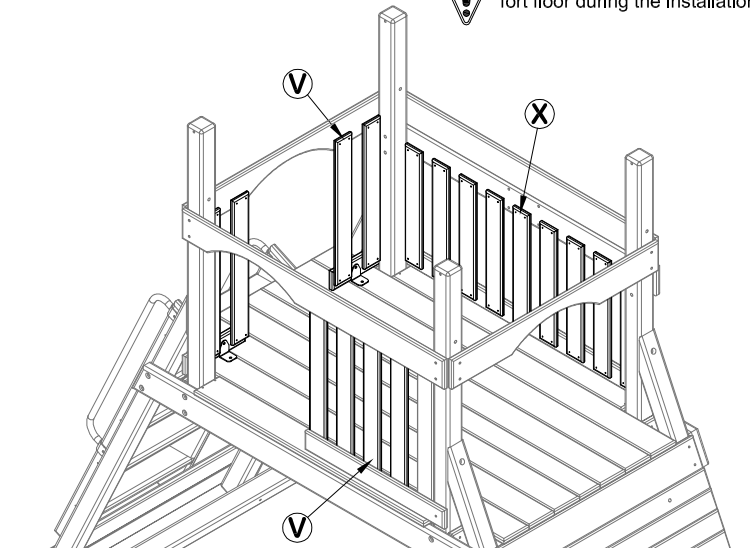
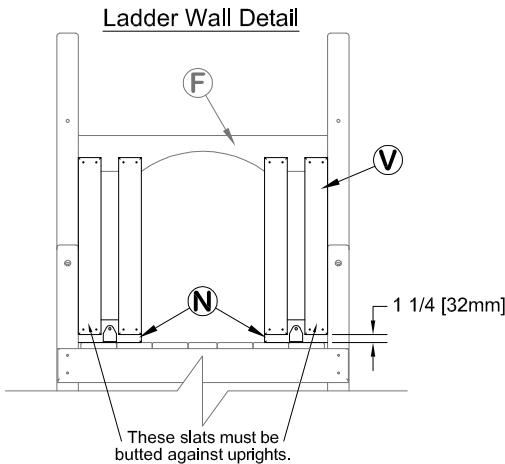
Step 1: (Full Wall) Fasten (2) slats X to cross brace Y and wall rail P, butted up to uprights (one on each side) using (4) 1 1/2" deck screws each. Install remaining slats leaving a 2 3/8" [60mm] gap and fasten using (4) 1 1/2" deck screws each.

Step 2: (Activity Wall) Fasten (1) slat V to rails D and O, butted up to uprights using (4) 1 1/2" deck screws. Install slat V (specified 2nd) against rails D and O with ends flush, fasten with (4) 1 1/2" deck screws. Install remaining slats leaving a 2 3/8" [60mm] gap and fasten using (4) 1 1/2" deck screws each. Secure wall by attaching bracket AW to rail O and floor using (2) 3/4" tapping screws (Fig. 15).

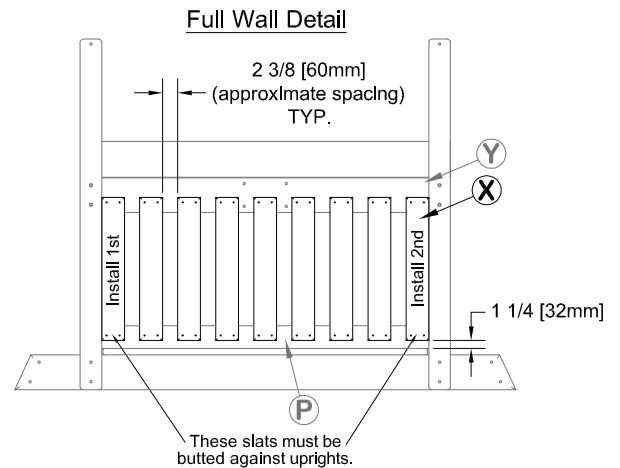
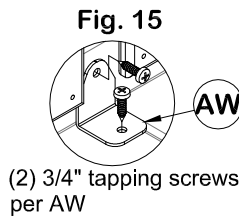
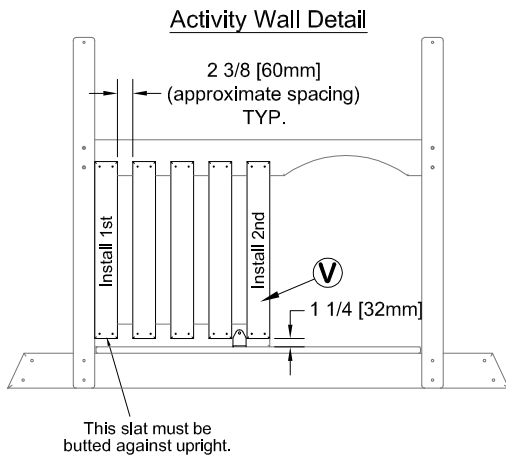
Step 3: (Ladder Wall) Place rails N on each side of opening flush with outside of uprights. Attach (2) slats V to rails F and N, butted up to uprights on each side using (4) 1 1/2" deck screws each. Install remaining slats V leaving a 2 3/8" [60mm] gap and fasten using (4) 1 1/2" deck screws each. Secure rails N to floor using (2) brackets AW and (4) 3/4" tapping screws each (Fig. 15).



! All slats must be 1 1/4" [32mm] off fort floor during the installation.



NOTE: No wall slats are used on rock wall side.



Phase 10 Roof Assembly & Attachment

Step 1: Place panels AA (2) and boards AB (2) flush end to end as shown below.

Step 2: Center and attach roof brace AC vertically on panels 2" [51mm] from the top using 1" deck screws.

Step 3: Place (2) roof truss Z 45" [1143mm] apart (inside dimension). Place panels and boards on trusses Z flush with angled end of Z. Attach panels and boards to trusses Z using 2 1/4" deck screws making sure to keep 45" [1143mm] inside dimension.

Step 4: Repeat steps 1 through 3 for second roof half.

Step 5: Attach previously assembled roof halves to fort uprights using 4 1/2" hex bolts, flat washers, split washers and t-nuts (fig. 16).

Step 6: Bring roof halves together on top and attach fort plate AT to outside of each roof truss using 3/4" tapping screws (Fig. 17).

Step 7: Place roof ridge cap AE on top of roof and attach with roof swedges AD by running (2) 1 3/4" deck screws through swedge and into roof ridge cap from inside fort as shown (Fig. 17).

- Items Used in this Phase**
- (4) 'Z' - 2x4x046 3/4 Roof Trusses
 - (4) 'AA' - 5/4x6x055 Roof Panel Assemblies
 - (4) 'AB' - 5/4x6x055 Roof Boards
 - (2) 'AC' - 1x3x042 Roof Braces
 - (2) 'AD' - 2x2x005 1/2 Roof Swedges
 - (1) 'AE' - 2x2x055 Roof Ridge Cap
 - (2) 'AT' - 5 hole Fort Plates (Green)

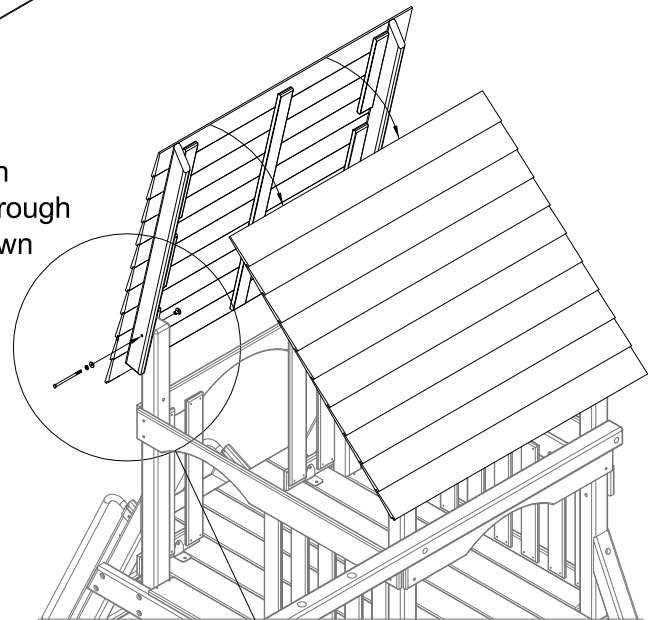
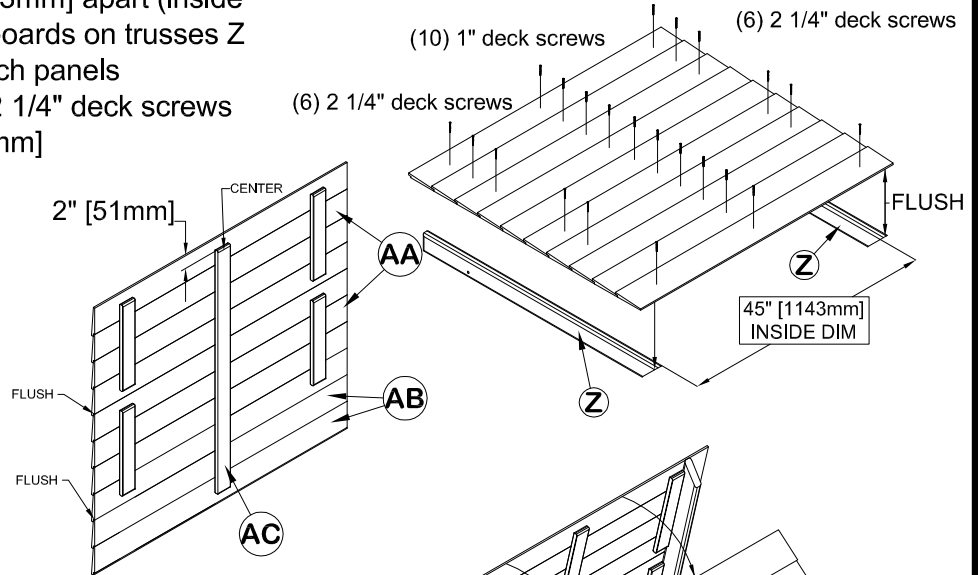


Fig. 16

- (4) 4 1/2" hex bolts
- (4) 5/16" split washers
- (4) 5/16" flat washers
- (4) 5/16" t-nut total

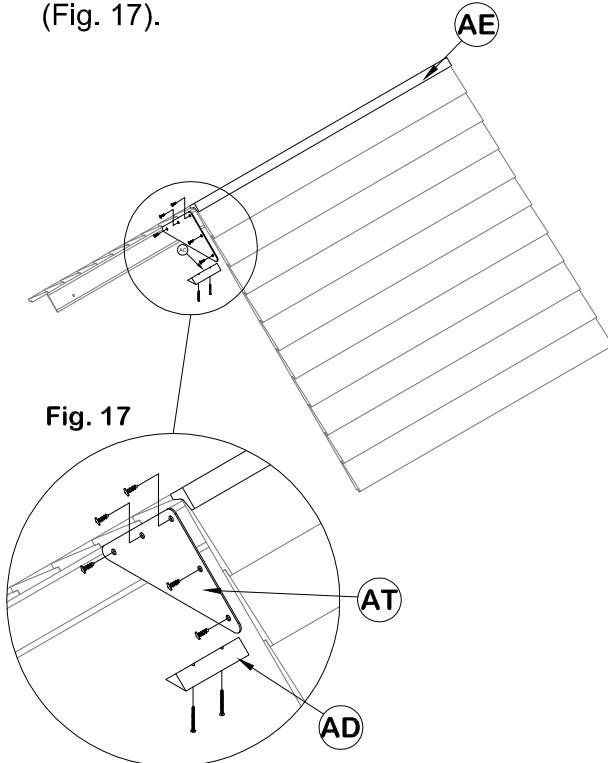


Fig. 17

- (10) 3/4" tapping screws
- (4) 1 3/4" deck screws

Phase 11 Sunburst Assembly

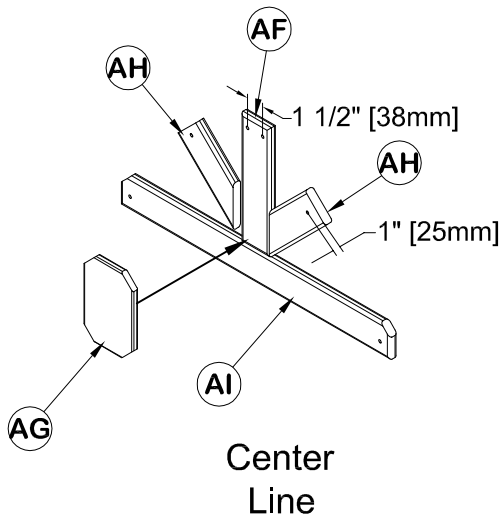
- Items Used in this Phase**
- (2) 'AF' - 1x3x012 Sunburst Vertical Spokes
 - (2) 'AG' - 1x6x008 Sunburst Center Pieces
 - (4) 'AH' - 1x3x008 1/2 Angle Sunburst Spokes
 - (2) 'AI' - 1x3x029 Horizontal Sunburst Rails

Step 1: Gather AF(2), AG(2), AH(4), AI(2) and hardware bag.

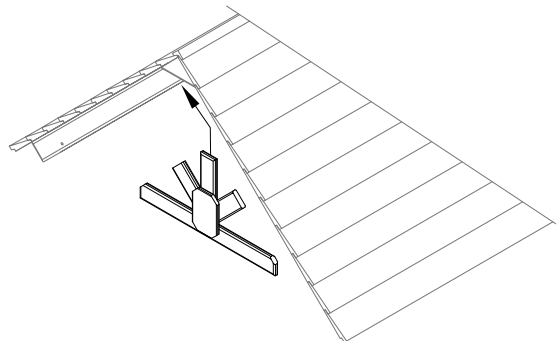
Step 2: Place center piece AG face down. Layout sunburst boards as shown below on top of AG. Attach sunburst boards to AG as shown with (8) 1 1/4" deck screws.

Step 3: Attach assembled sunburst to inside of roof trusses Z as shown using 1 1/2" deck screws.

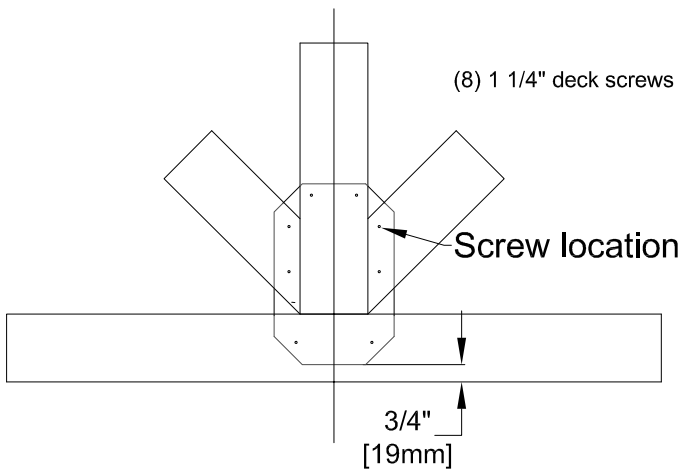
To avoid splitting boards pre-drill boards 1" from edge before attaching.



SUNBURST DETAIL



Position sunburst behind roof trusses and attach with 1 1/2" deck screws.



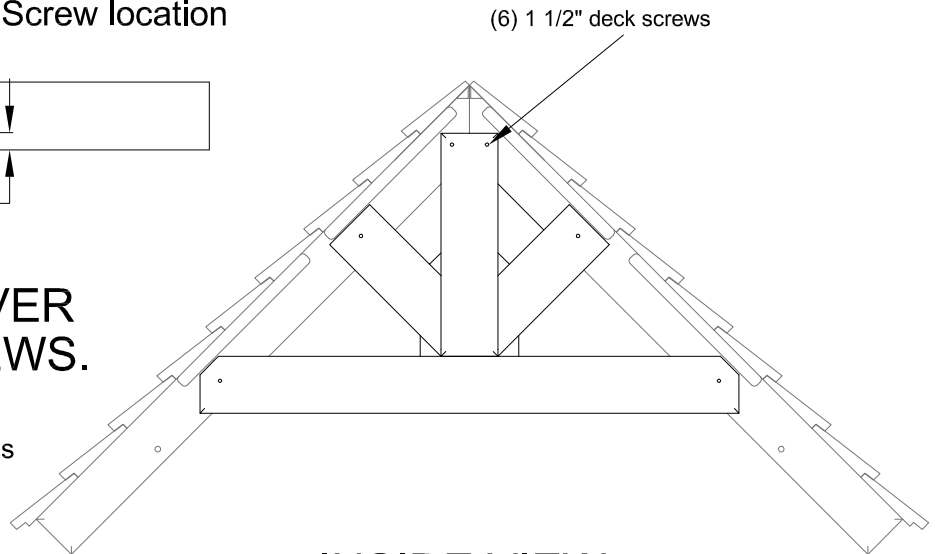
(8) 1 1/4" deck screws

Screw location

3/4" [19mm]

NOTE: DO NOT OVERTIGHTEN SCREWS.

To avoid splitting boards pre-drill sunburst boards at all screw locations before attaching name plate.



INSIDE VIEW

Phase 12 Rope Ladder Assembly

Items Used in this Phase

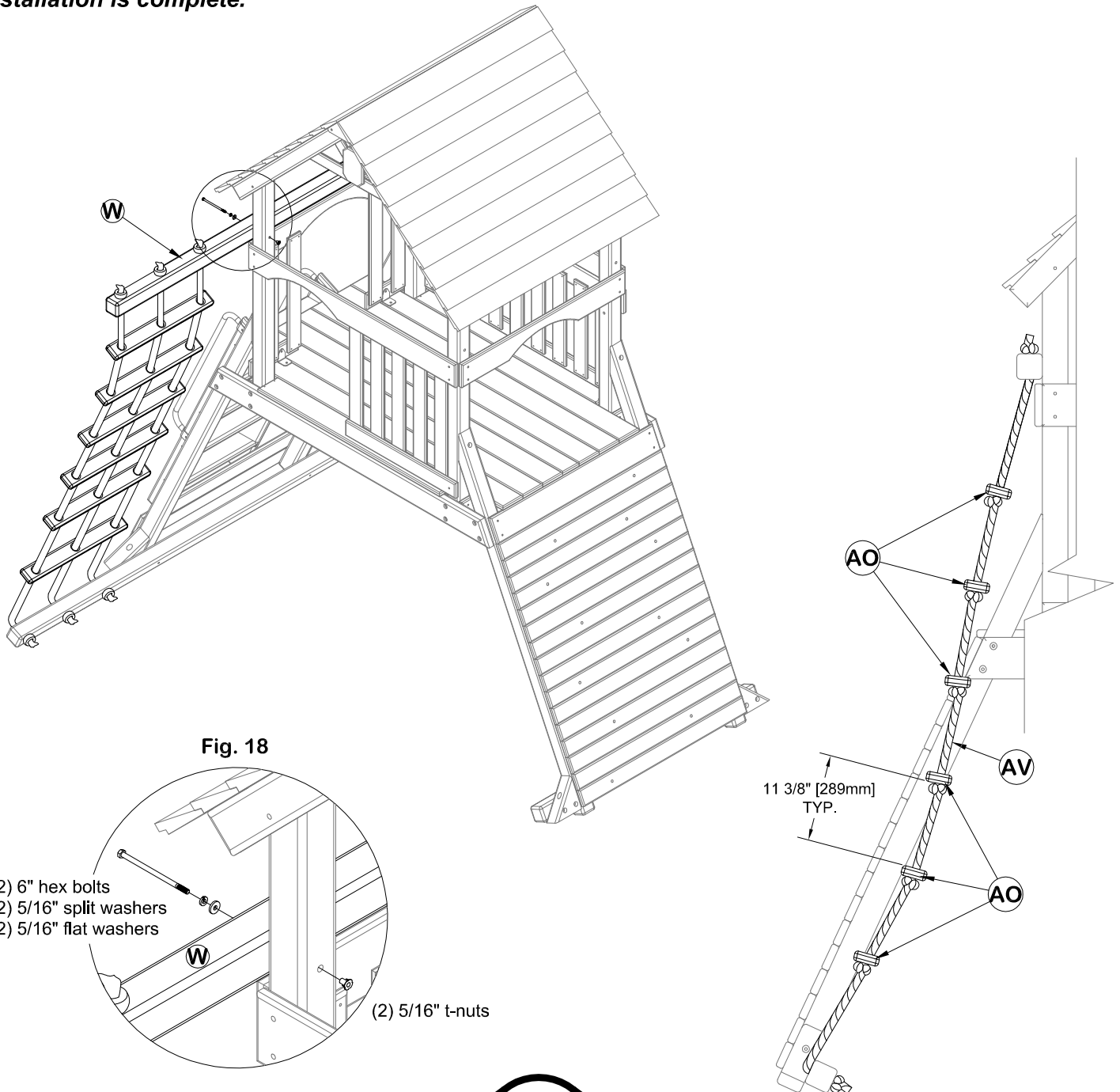
- (1) 'W' - 4x4x082 Rope Ladder Accessory Arm
- (6) 'AO' - 2x4x027 Rope Ladder Rungs
- (3) 'AV' - 1"x15' Green Ropes

Step 1: Gather items W(1), AO(6), AV(3), and hardware bag.

Step 2: Attach rope ladder accessory arm W to fort uprights using (2) 6" hex bolts, 5/16" flat washers, 5/16" flat washers, and 5/16" t-nuts (Fig. 18).

Step 3: Feed ropes through front face of G and tie knots near ends of rope. **(Keep each of the 3 rope sections even as you assemble ladder.)** It is important that as you space ladder rungs along the ropes, you tie a knot at the proper location that will hold the rungs 11 3/8" [289mm] apart as shown. Continue with the rung installation until all items AO are in place. Feed the remaining portion of rope through the bottom of W and tie knots on top side.

****NOTE**** Gap between all rungs and accessory arms are not to be less than 10" [254mm] when installation is complete.



Phase 13 Tire Swing Attachment

Items Used in this Phase

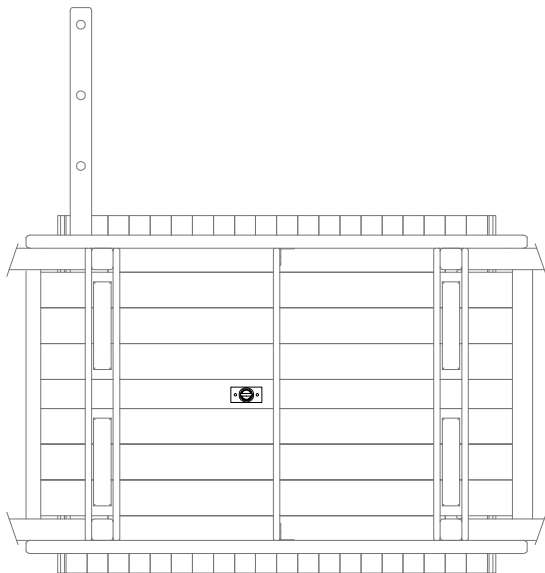
- (3) 'AY' - 30" Green Chains
- (3) 'AZ' - Quick Links (long)
- (1) 'BA' - Tire Swivel
- (3) 'BB' - Tire Eye Bolts
- (1) 'BC' - Tire
- (1) 'BG' - Snap Link

Step 1: Gather items AY(3), AZ(3), BA(1), BB(3), BC(1), BG(1) and hardware bag.

Step 2: Place (2) 2" carriage bolts with anti-turn washer inside holes through inside of fort and fasten tire swivel BA (Fig. 20).

Step 3: Assemble Tire Swing as shown in Fig. 19 and install it as shown in Fig. 20.

****NOTE** Use the side of the tire that has 3 pre-drilled holes (opposite side will have 4).**



Bottom View

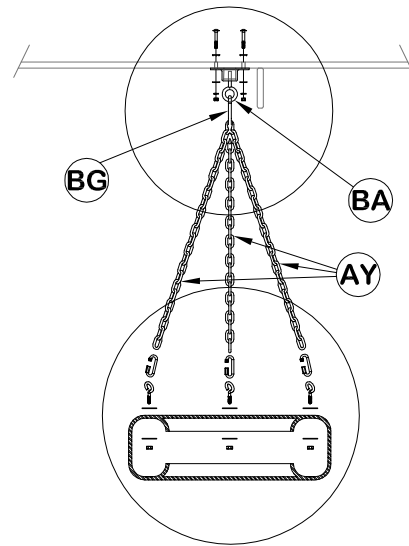


Fig. 20

- (2) 2" carriage bolts
- (2) 5/16" anti-turn washers
- (2) 5/16" flat washers
- (2) 5/16" lock nuts

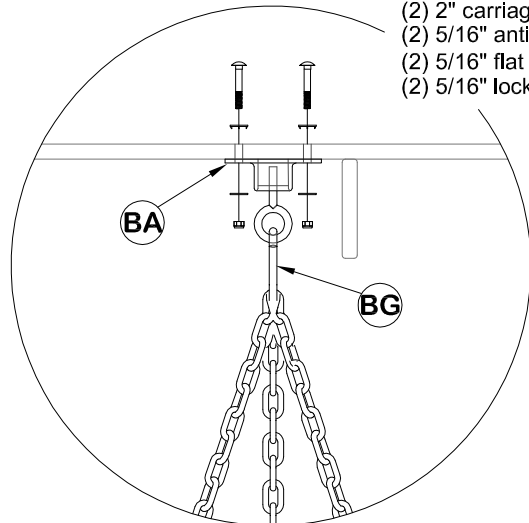
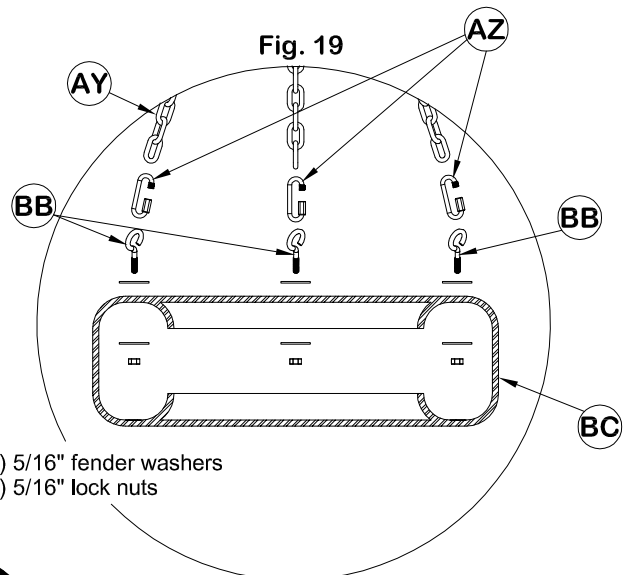


Fig. 19



- (6) 5/16" fender washers
- (3) 5/16" lock nuts

Phase 14 Grab Handle Attachment

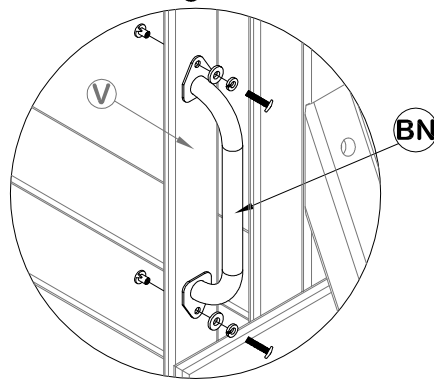
Items Used in this Phase
(4) 'BN' - Grab Handles (green)

Step 1: Gather items BN(4) and hardware bag.

Step 2: Place (2) handles BN centered on inner most wall slats V of center opening wall. Drill 5/16" [8mm] hole through each hole of hand grip into wall slats V. Insert 1/4" t-nuts in inside of wall slats. Attach handles BN using 1" machine truss screw, 1/4" split washer and 1/4" flat washer through each drilled hole (Fig. 21).

Step 3: Center (2) handles BN on legs I and attach using 2 1/2" tapping screws and 1/4" flat washers (Fig. 22).

Fig. 21



- (2) 1" machine truss screws
- (2) 1/4" flat washers
- (2) 1/4" split washers
- (2) 1/4" t-nuts per handle BN

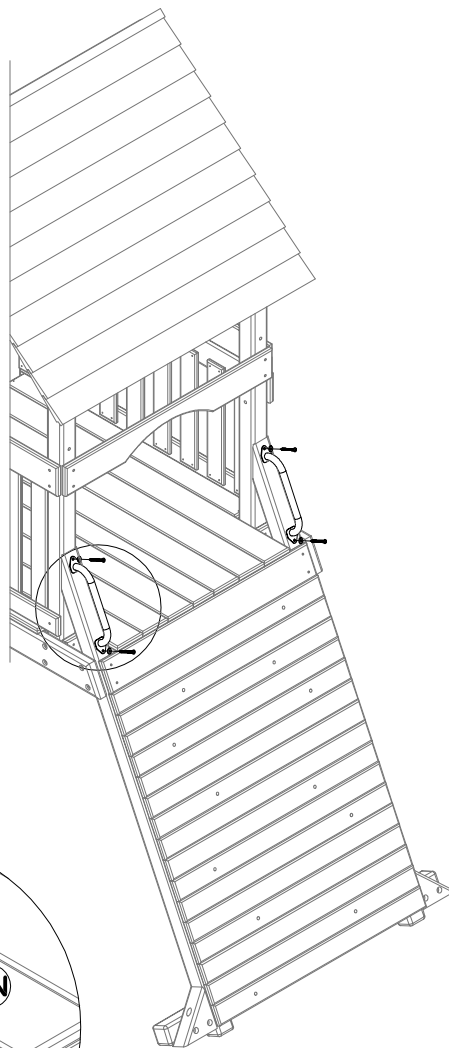
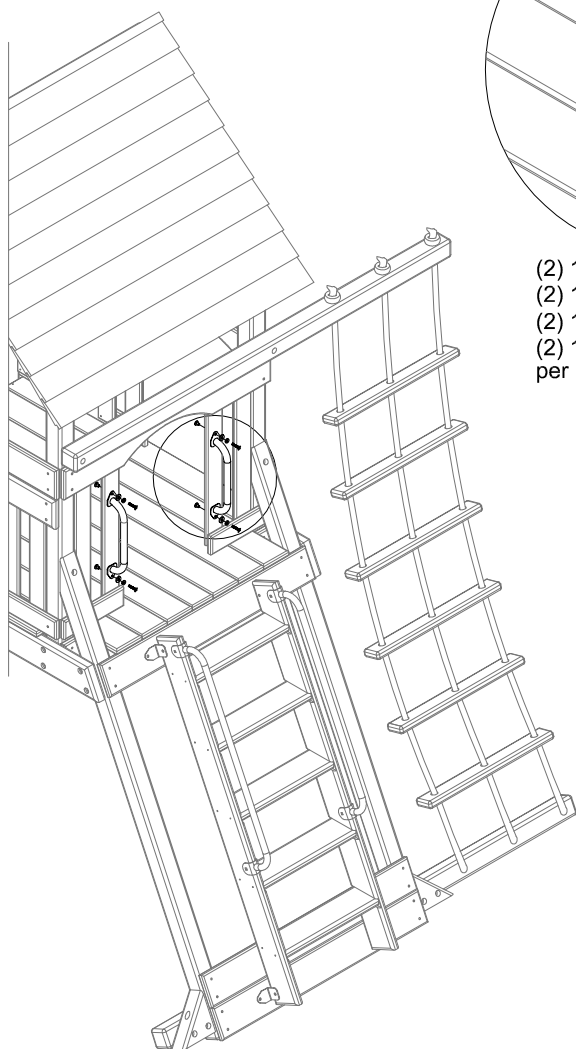
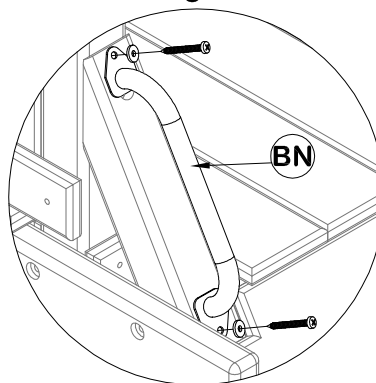


Fig. 22



- (2) 2 1/2" tapping screws
- (2) 1/4" flat washers per handle BN

Phase 15 Swing Hanger Attachment

Items Used in this Phase

- (1) 'AM' - 4x6x089 1/2 Single Beam
- (4) 'AX' - Swing Hangers
- (2) 'BO' - Glider Supports
- (4) 'BP' - Glider Support Tubing Caps
- (4) 'BQ' - Swing Hanger Bushings
- (4) 'BR' - Swing Hanger Quick Links

Step 1: Gather items AM(1), AX(4), BO(2), BP(4), BQ(4), BR(4) and hardware bag.

Step 2: Slide bushings BQ over swing hanger quick links BR. Insert BR through bottom hole at end of each glider support BO. Secure each BR with a 5/16" flat washer and 5/16" lock nut as shown (Fig. 23). Lightly hammer (rubber mallet) caps BP into each end of both glider supports BO.

Step 3: Insert 6" hex bolts through top of each hole on glider support BO and through single beam AM. Attach with 5/16" fender washer and 5/16" lock nut (Fig. 24).

Step 4: Attach (4) swing hangers AX to bottom of single beam AM as shown. Secure each swing hanger AX using (2) 6" hex bolts with 5/16" fender washers and 5/16" lock nuts (Fig. 25).

Fig. 23

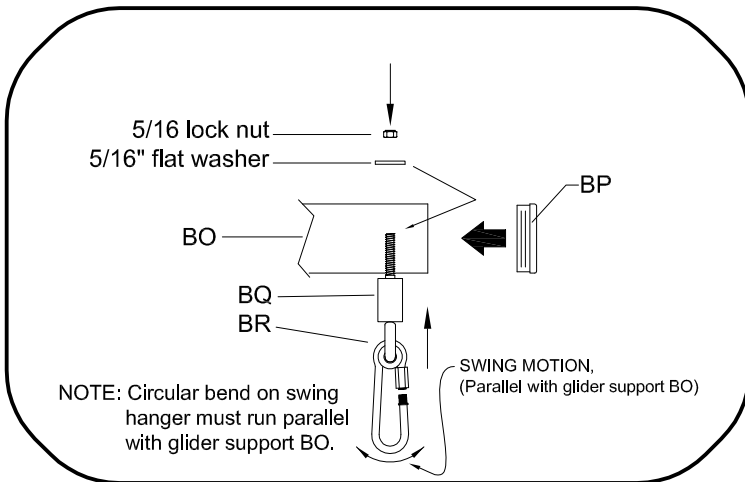


Fig. 24

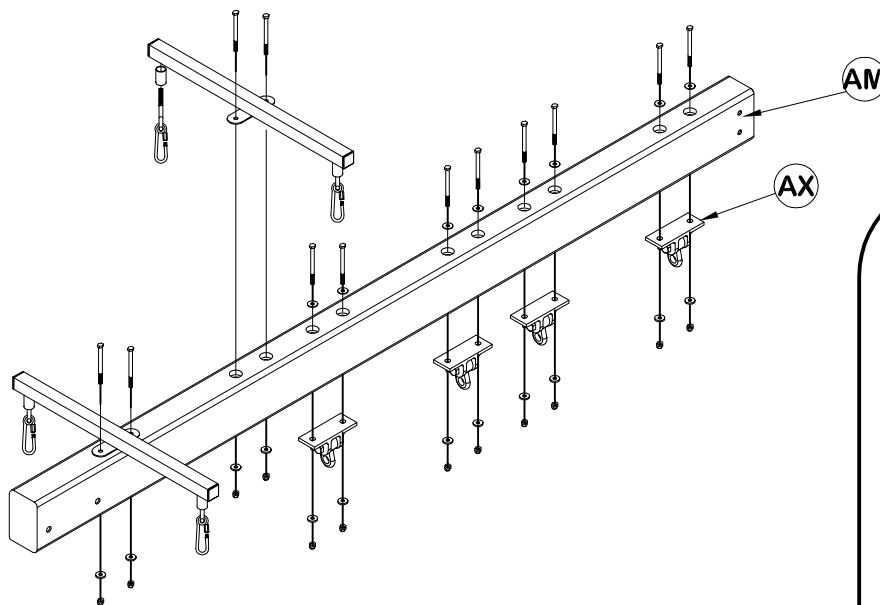
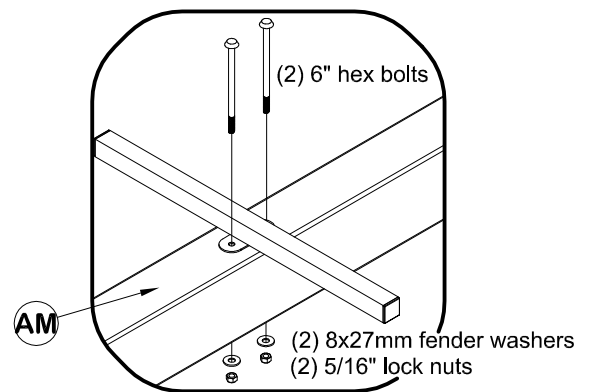
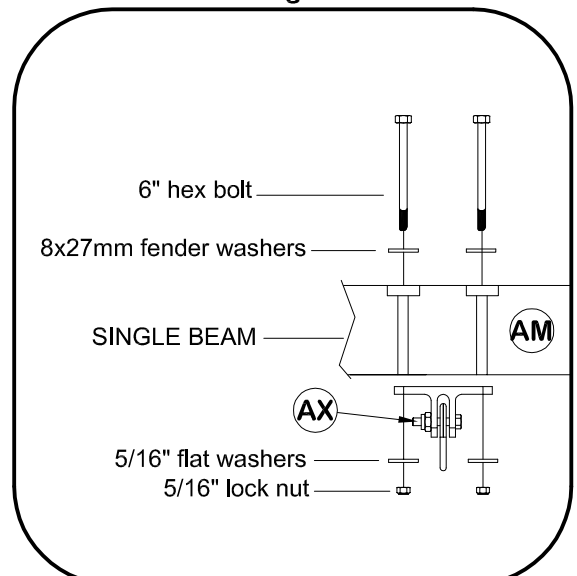


Fig. 25



Phase 16 Single Beam Assembly

- Items Used in this Phase
- (2) 'AP' - 4x4x093 Single Beam Legs
 - (1) 'BH' - Single Beam Clamp Left (Green)
 - (1) 'BI' - Single Beam Clamp Right (Green)
 - (1) 'BJ' - Single Beam Clamp End Plate
 - (1) 'BK' - 5" Angled Brace (Green)
 - (2) 'BK' - 5" Angled Brace (Green)

Step 1: Gather items AP(2), BH(1), BI(1), BJ(1), BK(2) and hardware bag.

Step 2: Attach braces BK to end of single beam AM using 4" hex bolts, 5/16" flat washers, and 5/16" lock nuts (Fig.26).

Step 3: Attach clamps BH and BI to opposite end of single beam AM using 4" hex bolts, 5/16" flat washers, and 5/16" lock nuts (Fig. 27). Make sure clamps BH and BI are facing opposite direction of counter-bored holes on top of beam AM as shown.

Step 4: Place legs AP between plate BJ and clamps BH and BI (Fig. 28). Secure boards and clamps together using 4" hex bolt, 5/16" flat washers, and 5/16" lock nuts on middle (2) holes and 3" lag screws with 5/16" flat washers on the top (2) holes of plate BJ.

Fig. 28

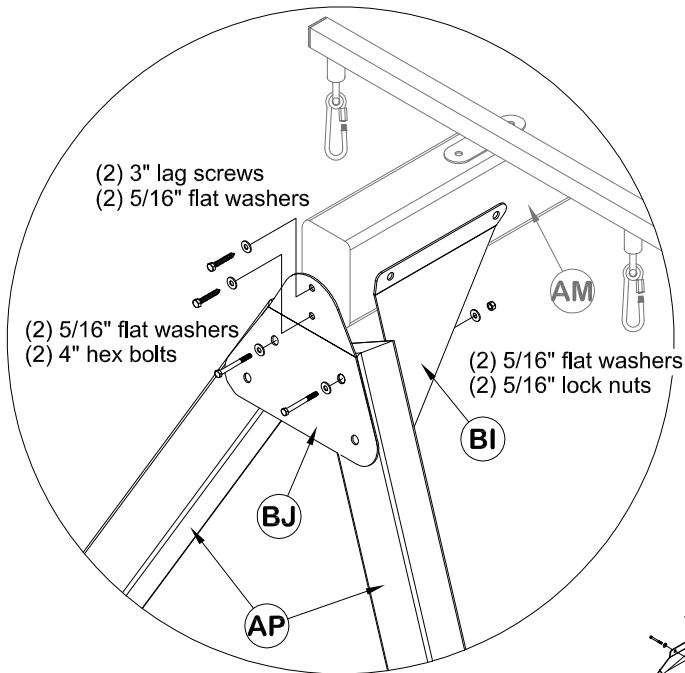


Fig. 27

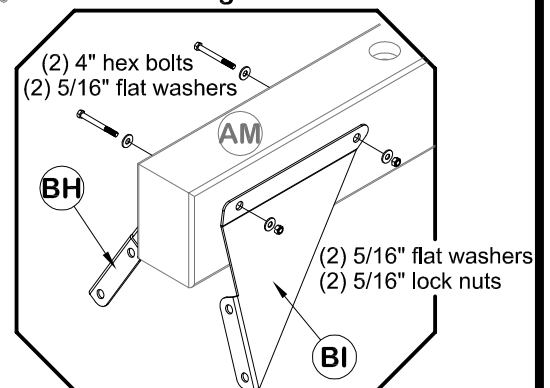
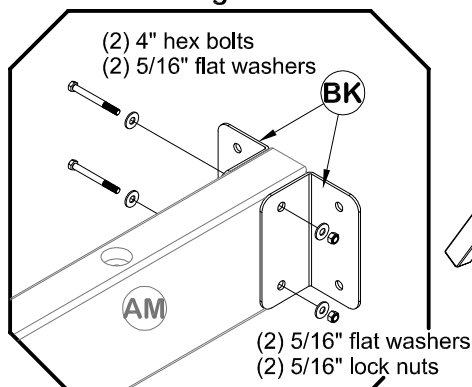


Fig. 26



Phase 17 Single Beam Attachment

Items Used in this Phase
(1) 'AQ' - 5/4x6x061 1/4 Single Beam Support
Single Beam Assembly

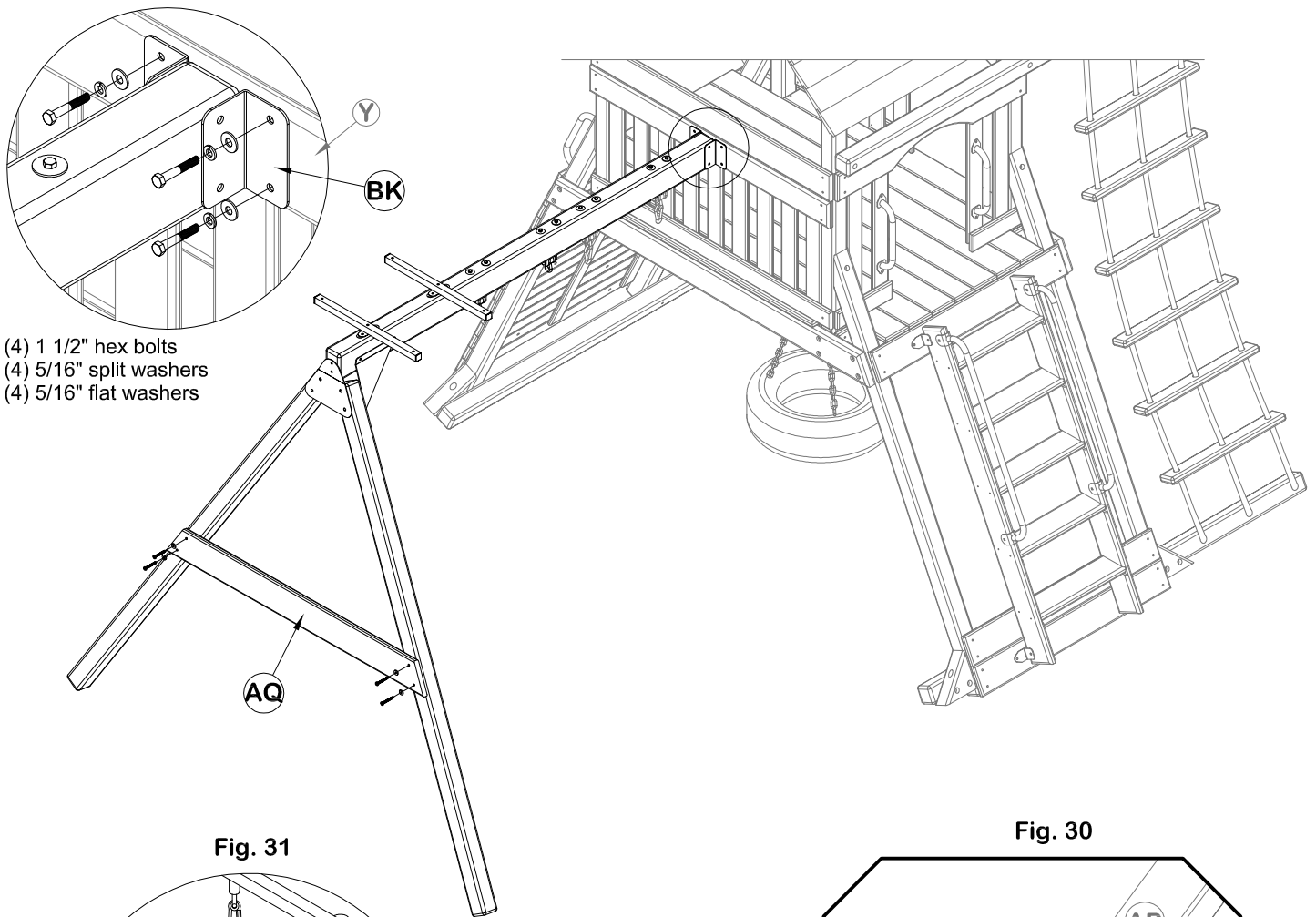
Step 1: Gather item AQ(1), single beam assembly and hardware bag.

Step 2: Line up single beam with fort and lift beam up to cross brace Y. Align braces BK with pre-drilled holes in cross brace Y and attach using 1 1/2" hex bolts, 5/16" split washers and 5/16" flat washers. Tighten bolts into t-nuts installed in Phase 1 of fort assembly (Fig. 29)

Step 3: Adjust legs AP in or out to level beam. Once beam is level, place leg support AQ level and flush with edges of legs AP and attach using 2 1/2" tapping screws and 1/4" flat washers (Fig. 30).

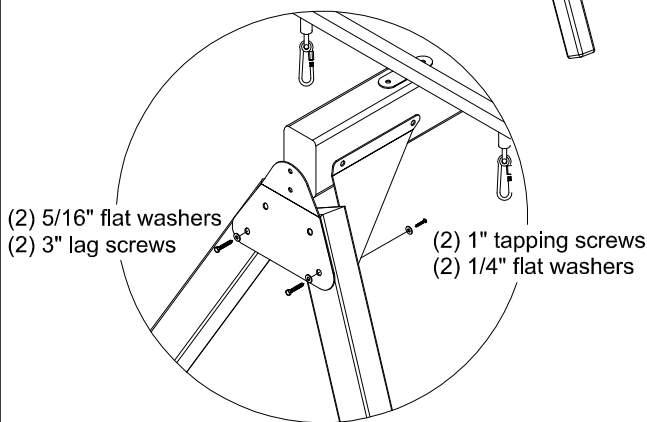
Step 4: Finish attachment using 3" lag screws, 5/16" flat washers, 1" tapping screws and 1/4" flat washers in plate BJ and clamps BH and BI (Fig. 31).

Fig. 29



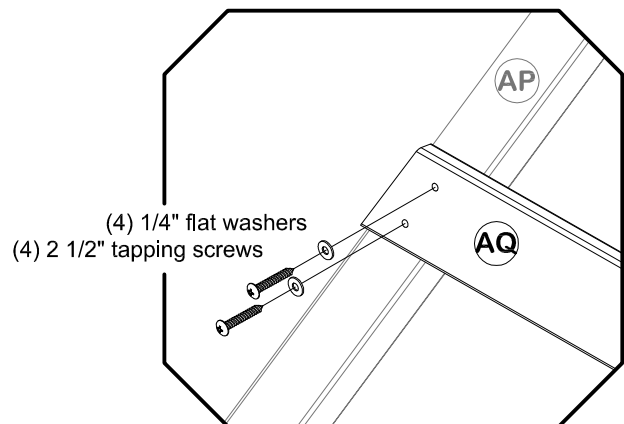
- (4) 1 1/2" hex bolts
- (4) 5/16" split washers
- (4) 5/16" flat washers

Fig. 31



- (2) 5/16" flat washers
- (2) 3" lag screws
- (2) 1" tapping screws
- (2) 1/4" flat washers

Fig. 30



- (4) 1/4" flat washers
- (4) 2 1/2" tapping screws

Phase 18 Rocket Rider Assembly

Items Used in this Phase

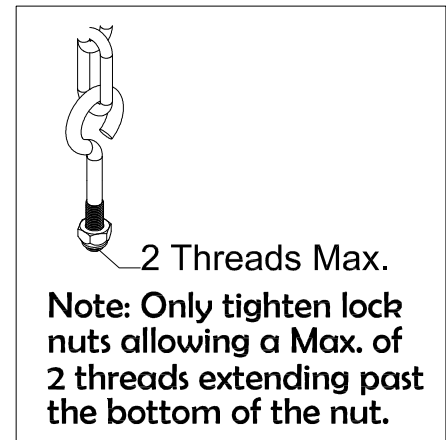
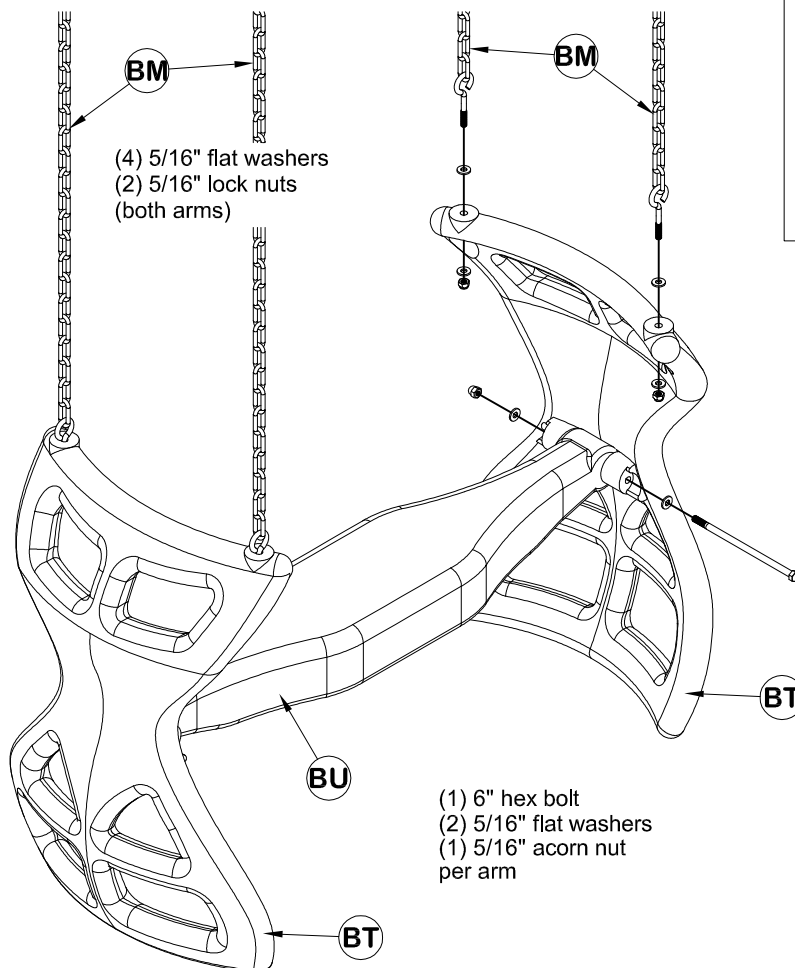
- (4) 'BM' - 51" 2/0 Chain (Green)
- (2) 'BT' - Rocket Rider Arms
- (1) 'BU' - Rocket Rider Seat

Step 1: Gather items BM(4), BT(2), BU(1), and hardware bag.

Step 2: Insert rider seat BU into rider arms BT and attach using (2) 6" hex bolts, (4) 5/16" flat washers, and (2) 5/16" acorn nuts as shown.

Step 3: Loop chain over eye bolt and attach eye bolts to rider arms BT using 5/16" flat washers and 5/16" lock nuts as shown. Do not over tighten.

Rocket Rider



Phase 19 Accessory Attachment

Items Used in this Phase

- (4) 'AZ' - Quick Links (long)
 - (2) 'BS' - Swing Seat Assemblies
- Rocket Rider Assembly

Step 1: Gather items AZ(4), BS(2), rocket rider assembly and hardware bag.

Step 2: Hang swing assemblies as shown. Use quick links AZ to connect swing seat chain to the swing hangers AX. Tighten quick links to secure chain (Fig. 32).

Step 3: Hang Rocket Rider to Rider Support brackets. Loop chain into the hanger quick links or S-Hook hangers attached to support bracket. If your hangers are 'S' type hook, instructions will be included with support bracket hardware. Be sure to follow these instructions to ensure your child's safety.

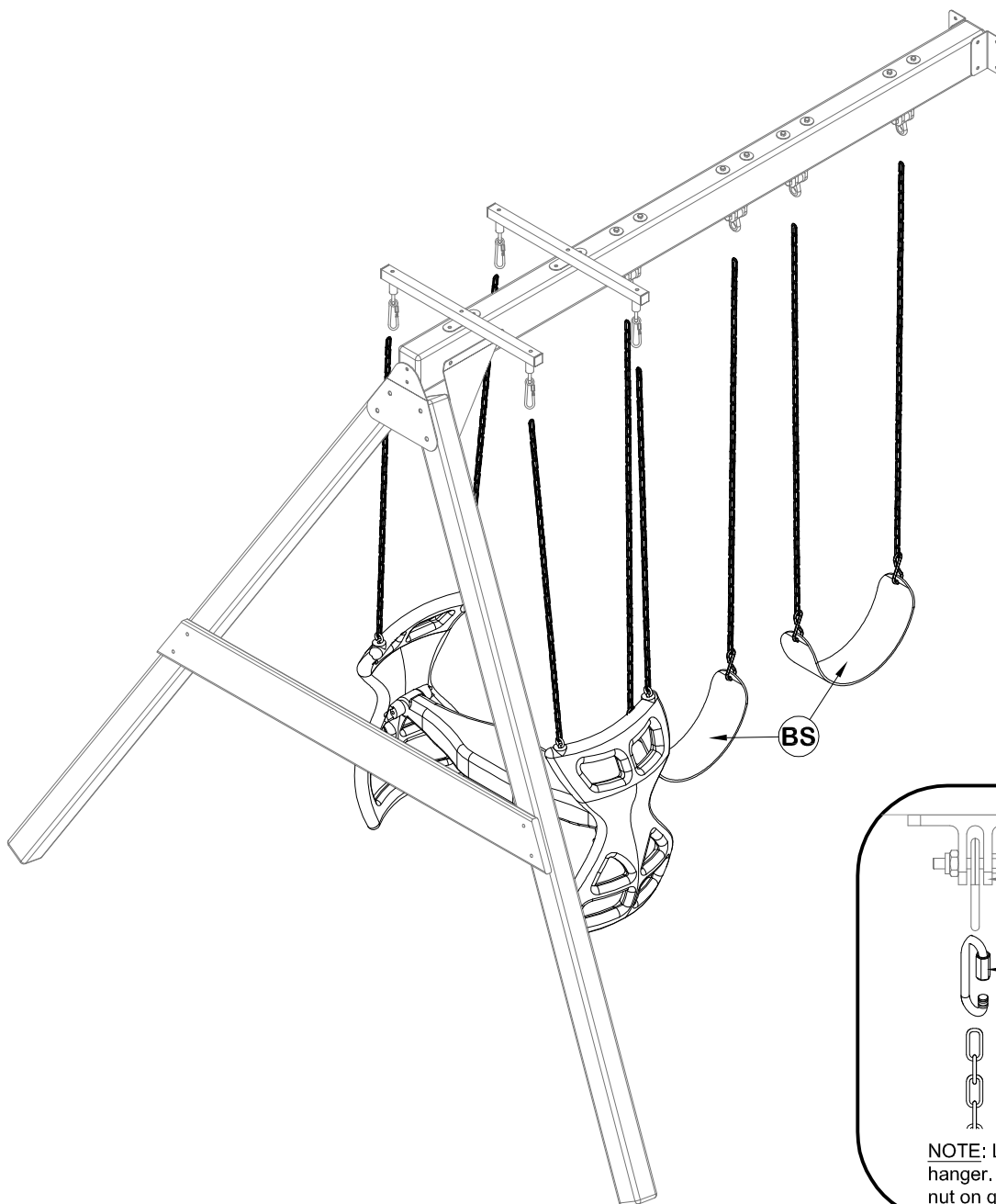


Fig. 32

NOTE: Loop quick link AZ over eye of swing hanger. Loop chain into quick link and tighten nut on quick link.

Note: You may need to adjust the height of the Rider with the chain so that the Rider is at least 8" [203mm] off the ground.

Phase 20 Placard Attachment

Items Used in this Phase
(1) 'BL' - Sheds Placard

Step 1: Gather item BL(1) and hardware bag.

Step 2: Attach placard BL to wall rail D using (4) 1" deck screws (Fig. 33).

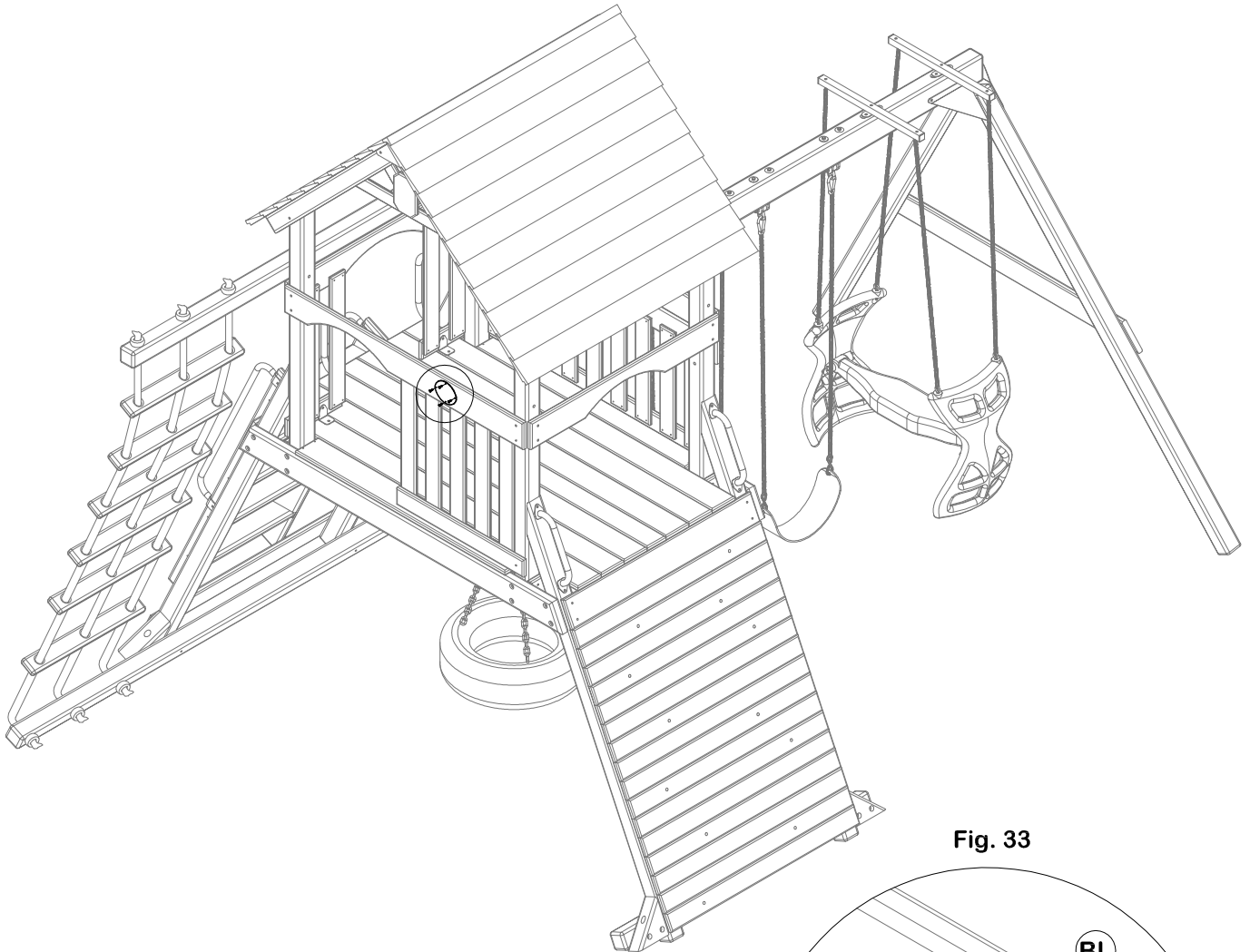
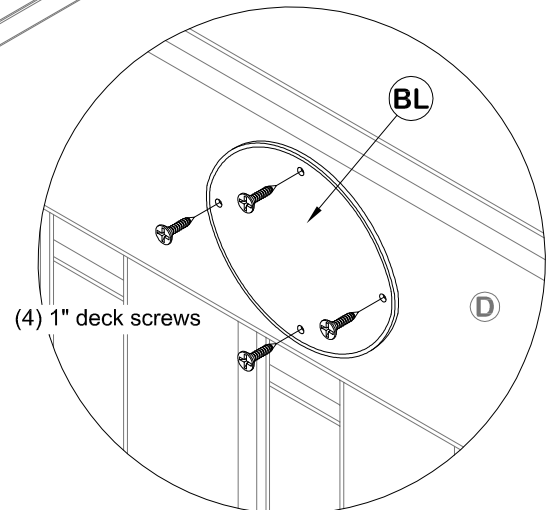


Fig. 33



Phase 21 Slide Attachment

Items Used in this Phase

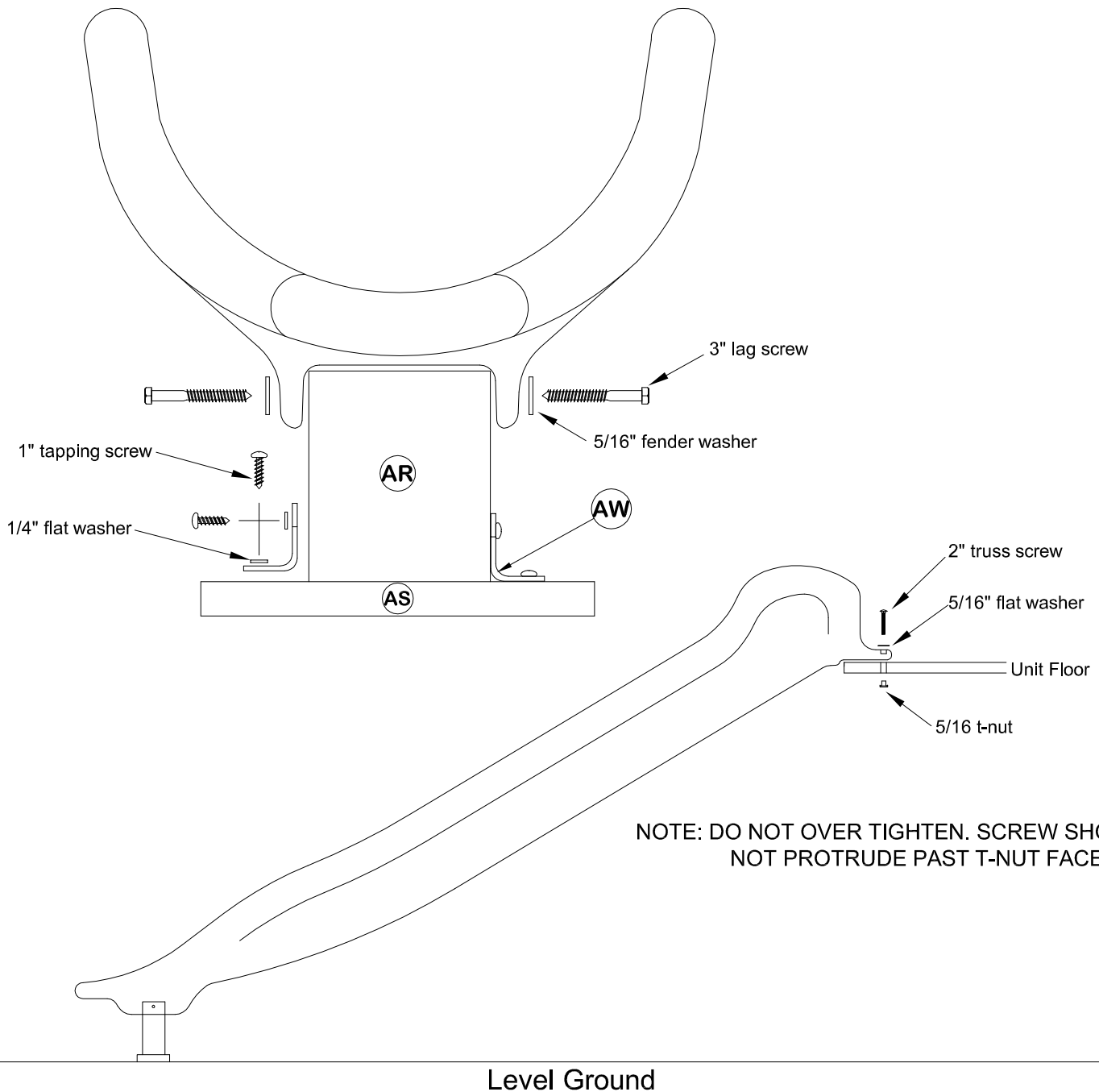
- (1) 'AR' - 4x6x008 Rocket Slide Base Support
- (1) 'AS' - 2x6x012 Rocket Slide Base Board
- (2) 'AW' - L-brackets
- (1) Rocket Slide

Step 1: Gather items AW(2), AR(1), AS(1), slide and hardware bag.

Step 2: Center base support AR on board AS and attach using (2) brackets AW, (4) 1" tapping screws, and (4) 1/4" flat washers.

Step 3: Rest slide on base and attach using (2) 3" lag screws and (2) 5/16" fender washers as shown.

Step 4: Center slide in wall opening and rest on fort floor. Drill a 3/8" [10mm] hole in floor through recessed holes in slide. Hammer (2) 5/16" t-nuts into drilled holes under floor. Attach slide using (2) 2" truss screws and (2) 5/16" flat washers.



NOTE: DO NOT OVER TIGHTEN. SCREW SHOULD NOT PROTRUDE PAST T-NUT FACE.

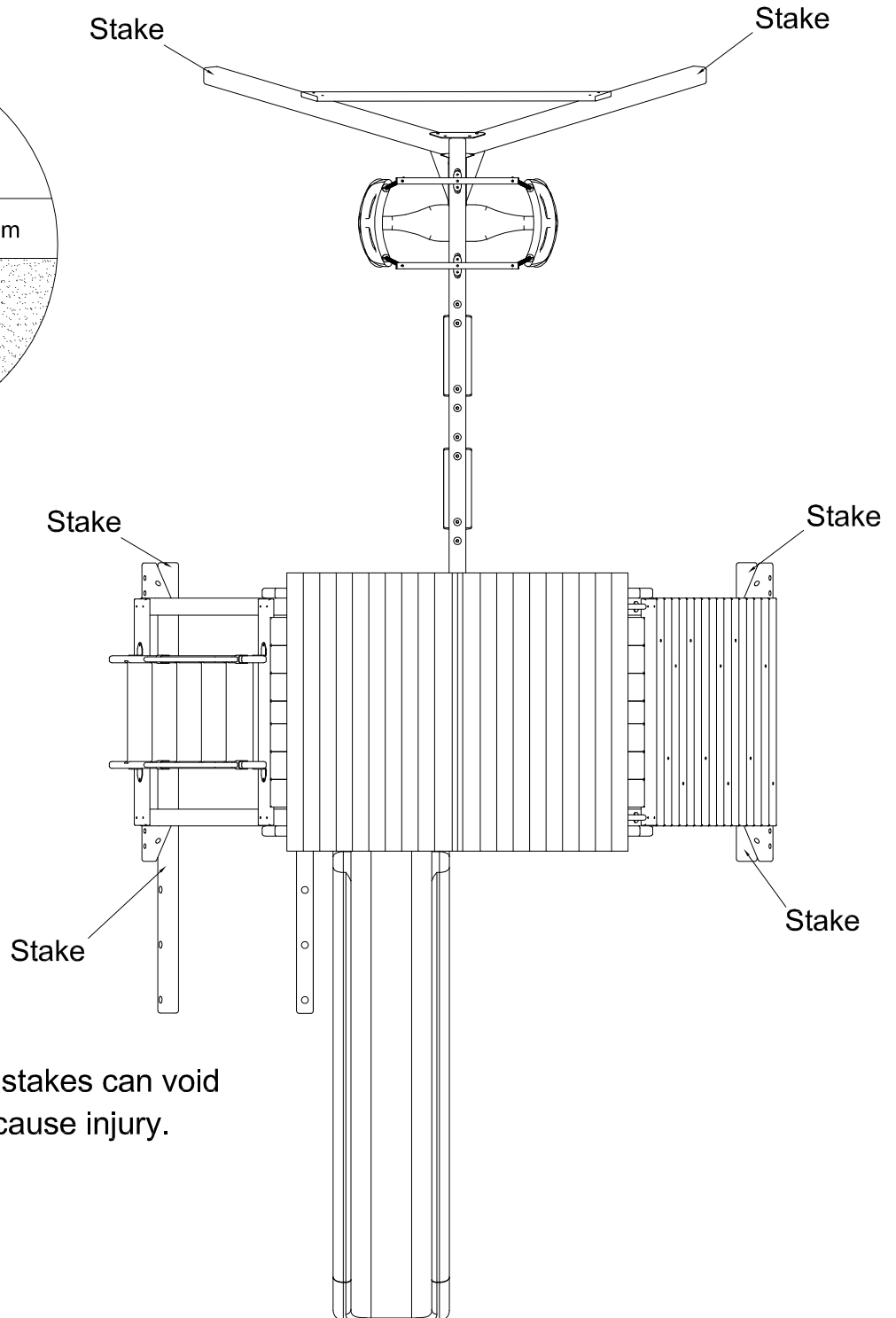
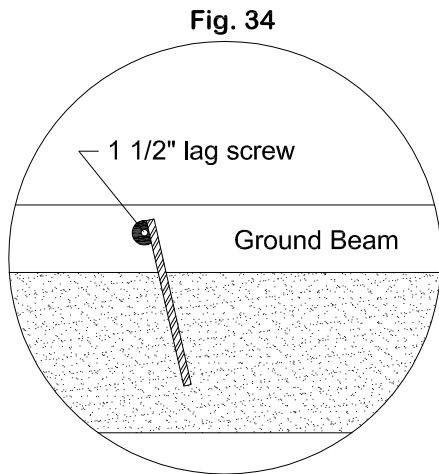
Phase 22 Anchoring

Items Used in this Phase
(1) 'BF' - 16" Rebar Stakes (bag of 6)

Step 1: Gather item BF(1) and hardware bag.

Step 2: Drive stakes BF into ground where shown below and attach using 1 1/2" lag screws (Fig. 34).

Step 3: Double check that all hardware is present and tightened properly.



Failure to use stakes can void warranty and cause injury.